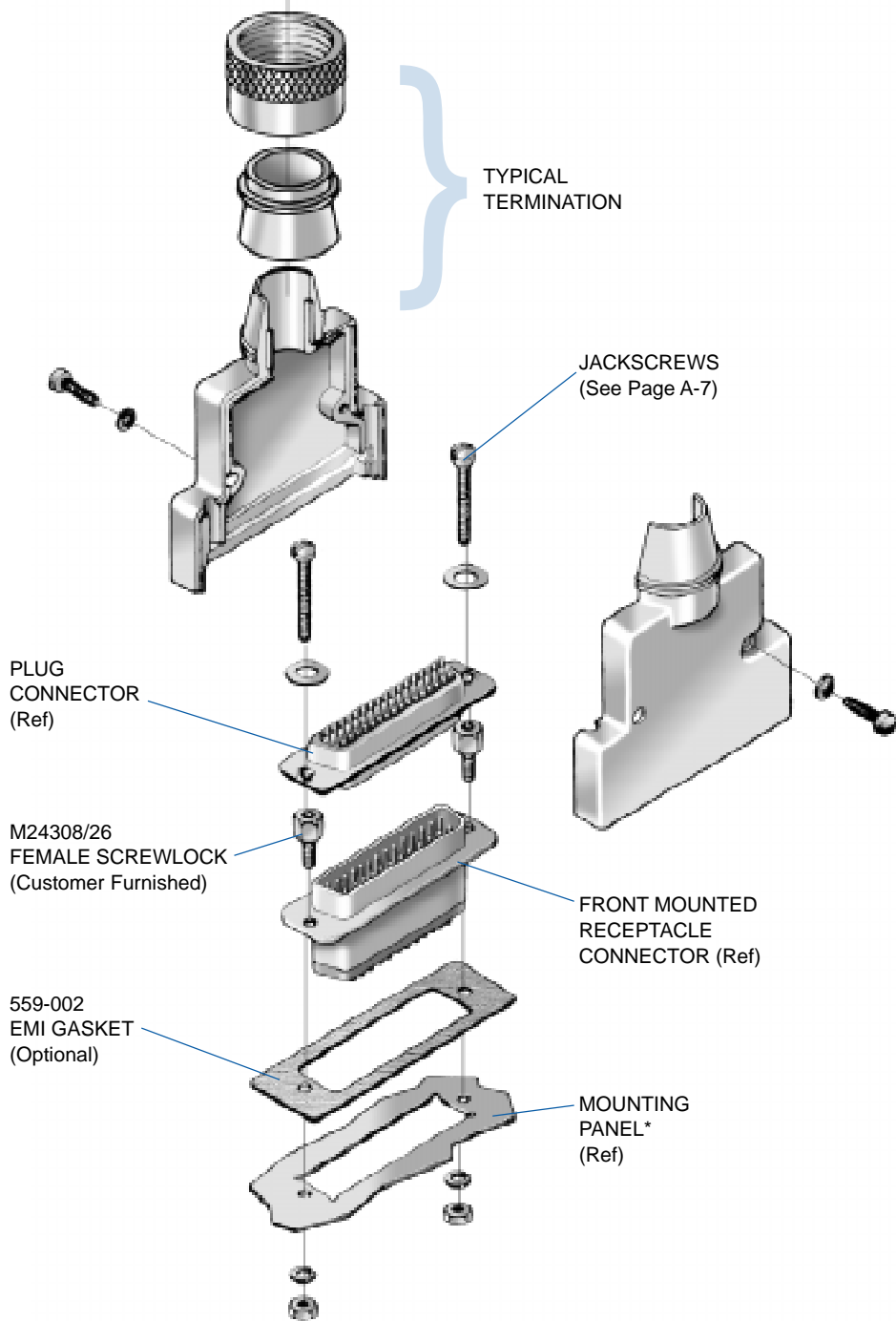


D-Subminiature Backshells Cable Mounted Plug Front Mounted Receptacle



*All components front-mounted in relationship to the panel.