

## M24758/19 Adapter for Panel Termination

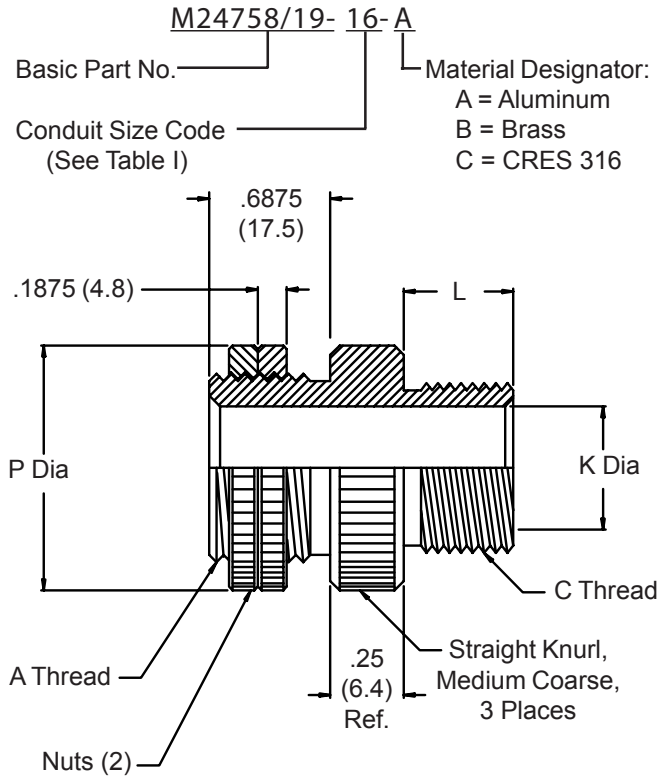


TABLE I						
CONDUIT SIZE CODE	A CLASS - 2A THREAD	P DIA	C CLASS - 2A THREAD	L + .030 - .00 +(0.76 -.00)	K DIA MIN	RECOMMENDED TORQUE VALUES INCH LBS (SEE NOTE 3)
A	.625-24 UNEF	.970 (24.6)	.438-28 UNEF	.210 (5.3)	.245 (6.22)	40 - 50
B	.875-20 UNEF	1.240 (31.5)	.688-24 UNEF	.250 (6.4)	.495 (12.6)	
BC	1.188-18 UNEF	1.580 (40.1)	.688-24 UNEF	.250 (6.4)	.495 (12.6)	50 - 60
C	1.188-18 UNEF	1.580 (40.1)	.938-20 UNEF	.310 (7.9)	.745 (19.0)	
CK	1.000-20 UNEF	1.530 (38.9)	.938-20 UNEF	.310 (7.9)	.745 (19.0)	80 - 90
D	1.438-18 UNEF	1.840 (46.7)	1.250-18 UNEF	.370 (9.4)	.995 (25.3)	
E	1.750-16 UN	2.180 (55.4)	1.563-18 UNEF	.370 (9.4)	1.245 (31.6)	100 - 110
F	2.000-16 UN	2.410 (61.2)	1.875-16 UN	.430 (10.9)	1.495 (38.0)	
G	2.500-16 UN	2.980 (75.7)	2.375-16 UN	.430 (10.9)	1.995 (50.7)	150 - 160
H	3.000-16 UN	3.410 (86.6)	2.875-16 UN	.430 (10.9)	2.495 (63.4)	
J	.750-20 UNEF	1.160 (29.5)	.563-24 UNEF	.250 (6.4)	.370 (9.4)	50 - 60
K	1.000-20 UNEF	1.530 (38.9)	.813-20 UNEF	.310 (7.9)	.620 (15.8)	
L	3.500-16 UN	4.060 (103.1)	3.375-16 UN	.430 (10.9)	2.995 (76.1)	150 - 160

**NOTE:** Panel Cut-Out is +.016 (0.41) -.000 over A Thread Size.

1. The M24758/19 adapter provides the capability of terminating a M24758/2, M24758/3, or M24758/4 fitting to a panel.
2. Metric dimensions (mm) are indicated in parentheses.
3. Use Glenair 600-176 jam nut wrench.