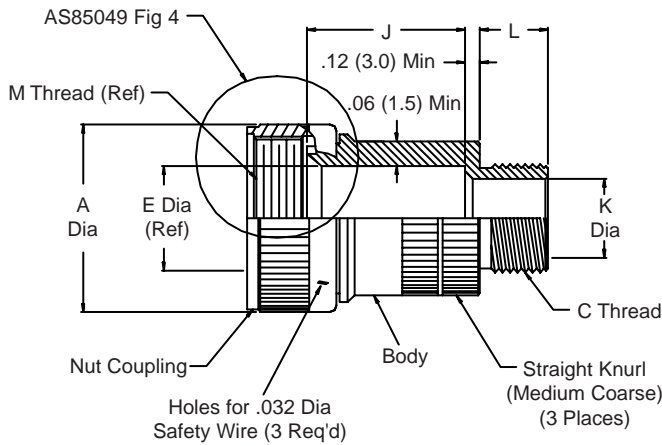


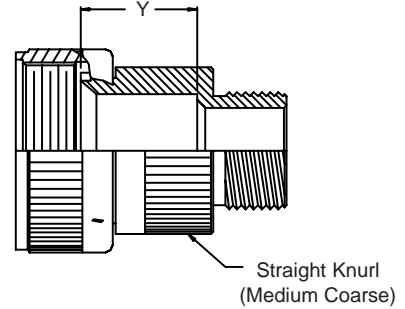
M24758/13 Adapter for Connectors with AS85049 Fig 4 Accessory Interface

M24758/13-16-08-01-A

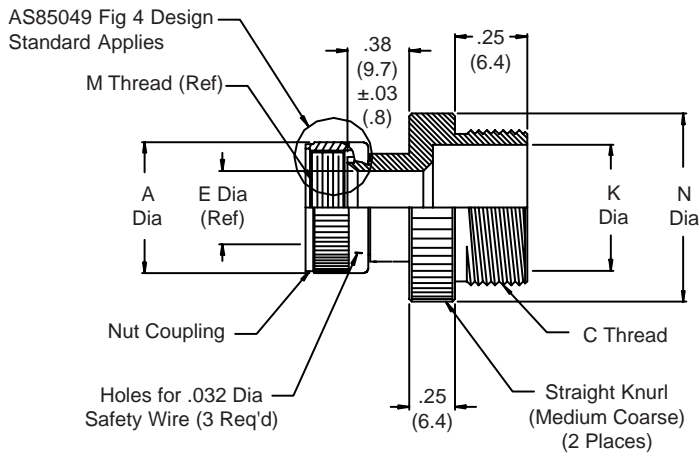
| | |
|--|---|
| <p>Basic Part No. _____</p> <p>Conduit Size Code _____ (See Table I)</p> <p>Connector Dash Number _____ (See Table II)</p> | <p>Material Designator: A = Aluminum B = Brass C = CRES 316</p> <p>Style Designator _____</p> |
|--|---|



STYLE 01
FOR USE WHEN E DIAMETER IS GREATER THAN K DIAMETER



STYLE 02
SAME AS STYLE 01 EXCEPT Y DIMENSION IS LESS THAN J. STYLE 02 IS USED WHEN THE EXTRA WORKING ROOM PROVIDED BY DIMENSION J OF STYLE 01 IS NOT A REQUIREMENT.



STYLE 03
FOR USE WHEN E DIAMETER IS EQUAL TO OR LESS THAN K DIAMETER

M24758/13 Adapter for Connectors with AS85049 Fig 4 Accessory Interface



| Conduit Size Code | C Thread (Class 2A) | L | | K Dia Min. | | N Dia | |
|-------------------|---------------------|------|--------|------------|--------|-------|--------|
| | | ±.02 | (.5) | | | ±.02 | (.5) |
| 02 | 0.438 - 28 UNEF | .210 | (5.3) | .250 | (6.4) | .687 | (17.4) |
| 03 | 0.563 - 24 UNEF | .250 | (6.4) | .370 | (9.4) | .812 | (20.6) |
| 04 | 0.688 - 24 UNEF | .250 | (6.4) | .500 | (12.7) | .937 | (23.8) |
| 05 | 0.813 - 20 UNEF | .310 | (7.9) | .620 | (15.7) | 1.062 | (27.0) |
| 06 | 0.938 - 20 UNEF | .310 | (7.9) | .750 | (19.1) | 1.187 | (30.1) |
| 08 | 1.250 - 18 UNEF | .370 | (9.4) | 1.000 | (25.4) | 1.500 | (38.1) |
| 10 | 1.563 - 18 UNEF | .370 | (9.4) | 1.250 | (31.8) | 1.812 | (46.0) |
| 12 | 1.875 - 16 UN | .430 | (10.9) | 1.500 | (38.1) | 2.125 | (54.0) |
| 16 | 2.375 - 16 UN | .430 | (10.9) | 2.000 | (50.8) | 2.625 | (66.7) |
| 20 | 2.875 - 16 UN | .430 | (10.9) | 2.500 | (63.5) | 3.125 | (79.4) |
| 24 | 3.375 - 16 UN | .430 | (10.9) | 3.000 | (76.2) | 3.625 | (92.1) |

| Conn. Dash No. | NAS 1599 & MIL-DTL-83723 (Series 1 & 3) | MIL-DTL-5015 (MS3400 Series) | MIL-DTL-81703 (Navy) (Series 3) | MIL-DTL-26482 (Series 2) | A Dia. Max. | M Thread (Class 2B) (Ref.) (Note 3) | E Dia. (Ref) Note 3 | J (Style 01) | | Y (Style 02) | |
|----------------|---|------------------------------|---------------------------------|--------------------------|--------------|-------------------------------------|---------------------|--------------|--------|--------------|--------|
| | | | | | | | | ±.03 | (.8) | ±.03 | (.8) |
| 03 | 08 | 8SL | 03 | 08 | .669 (17.0) | 0.563 - 24 UNEF | .270 (6.9) | 1.060 | (26.9) | .620 | (15.7) |
| 08 | 10 | 10S, 10SL | | 10 | .617 (15.7) | 0.500 - 20 UNF | .270 (6.9) | 1.060 | (26.9) | .620 | (15.7) |
| 10 | 12 | 12, 12S | | 12 | .734 (18.6) | 0.625 - 24 UNEF | .375 (9.5) | 1.060 | (26.9) | .690 | (17.5) |
| 12 | 14 | 14, 14S | 07 | 13 | .858 (21.8) | 0.750 - 20 UNEF | .511 (13.0) | 1.060 | (26.9) | .690 | (17.5) |
| 14 | 16 | 16, 16S | 12 | 16 | .984 (25.0) | 0.875 - 20 UNEF | .585 (14.9) | 1.060 | (26.9) | .750 | (19.1) |
| 16 | 18 | 18 | 19 | 18 | 1.112 (28.2) | 1.000 - 20 UNEF | .710 (18.0) | 1.060 | (26.9) | .750 | (19.1) |
| 18 | 20 | 20 | 27 | 20 | 1.218 (30.9) | 1.062 - 18 UNEF | .789 (20.0) | 1.120 | (28.4) | .750 | (19.1) |
| 20 | 22 | 22 | 37 | 22 | 1.345 (34.2) | 1.188 - 18 UNEF | .914 (23.2) | 1.380 | (35.1) | .810 | (20.6) |
| 22 | 24 | 24 | | 24 | 1.468 (37.3) | 1.312 - 18 UNEF | 1.039 (26.4) | 1.830 | (46.5) | .810 | (20.6) |
| 24 | | 28 | | | 1.593 (40.5) | 1.438 - 18 UNEF | 1.154 (29.3) | 1.830 | (46.5) | .810 | (20.6) |
| 28 | | 32 | | | 1.969 (50.0) | 1.750 - 18 UNEF | 1.389 (35.3) | 2.300 | (58.4) | .880 | (22.4) |
| 32 | | 36 | | | 2.219 (56.4) | 2.000 - 18 UNS | 1.635 (41.5) | 2.550 | (64.8) | .880 | (22.4) |
| 36 | | 40 | | | 2.469 (62.7) | 2.250 - 16 UN | 1.850 (47.0) | 2.800 | (71.1) | .880 | (22.4) |
| 40 | | 44 | | | 2.719 (69.1) | 2.500 - 16 UN | 2.065 (52.5) | 3.050 | (77.5) | .940 | (23.9) |
| 44 | | 48 | | | 2.969 (75.4) | 2.750 - 16 UN | 2.320 (58.9) | 3.550 | (90.2) | .940 | (23.9) |
| 48 | | | | | 3.219 (81.8) | 3.000 - 16 UN | 2.570 (65.3) | 3.620 | (91.9) | .940 | (23.9) |
| 61 | | | 61 | | 1.653 (42.0) | 1.500 - 18 UNEF | 1.194 (30.3) | 1.880 | (47.8) | .810 | (20.6) |

1. The M24758/13 adapter couples connectors listed in Table I to M24758/2, M24758/3 or M24758/4 conduit fittings.
2. The coupling nut end of this adapter shall conform to Military Standard MS3155 (Navy), "Connector, electric, rear accessory design standard". AS85049 Fig 4 takes precedence over this specification.
3. The E diameter and M-thread of this drawing are the same as the E diameter and M-thread of MS3155, and are included for reference purposes.
4. Metric dimensions (mm) are indicated in parentheses.
5. For complete dimensions see applicable Military Specification.