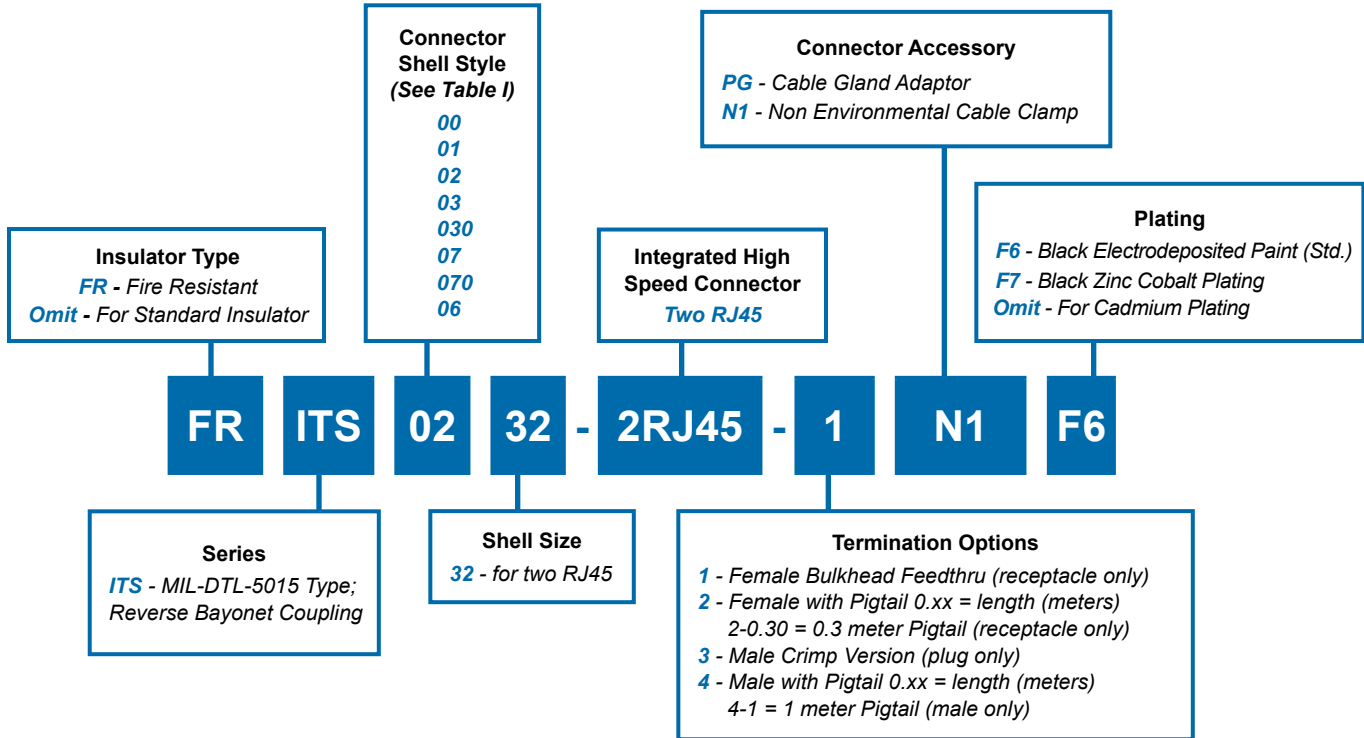




# MIL-DTL-5015 Type Reverse Bayonet Coupling (Series ITS) with Double RJ45 Connectors



**Figure 1**  
 Receptacle (Front)



**Figure 2**  
 Receptacle (Rear)

# MIL-DTL-5015 Type Reverse Bayonet Coupling (Series ITS) with Double RJ45 Connectors



**TABLE I**

**Connector Shell  
Detailed Description**

- 00** - Front Panel Mount Square Flange Receptacle with Accessory Threads
- 01** - In Line Cylindrical Receptacle with Accessory Threads
- 02** - Front Panel Mount Square Flange Receptacle; No Accessory Threads
- 03** - Rear Panel Mount Square Flange Receptacle; No Accessory Threads
- 030** - Rear Panel Mount Square Flange Receptacle with Accessory Threads
- 07** - Rear Panel Mount Jam Nut Receptacle; No Accessory Threads
- 070** - Rear Panel Mount Jam Nut Receptacle with Accessory Threads
- 06** - Straight Cylindrical Plug Connector with Accessory Threads

Commercial-grade RJ45 connectors are intended for use in clean, dry environments. Exposure to dirt and moisture can lead to damage or failure. Glenair's sealed RJ45 connectors provide a high level of protection for the most hostile environments. Two standard RJ45 jacks are housed in rugged, waterproof ITS Series bayonet connectors. Dual connectors feature resilient nitrile inserts and electrodeposited corrosion-resistant black paint or black zinc cobalt plating. Cadmium plating is also available. A typical ITS dual RJ45 application consists of a through bulkhead female receptacle (*Figure 1 and 2*) and a male plug crimp RJ45 (*Figure 3*).

**TECHNICAL CHARACTERISTICS**

Category	Cat. 6 (Cat 5E available upon request)
Connection	10BaseT, 100BaseTx, 1000BaseT
Working Voltage	30/42 Volts AC RMS/VDC
Max Current Rating	1.5 Amps at 20° C
Max Contact Resistance	20 mΩ
Min. Insulation Resistance	1.000 mΩ at 500 Volts DC
Dielectric Withstanding Voltage	1000 Volts
Working Temperature	-40° to +68° C
Environmental Rating	IP67 (mated)



**Figure 3  
Plug (Front)**



**Figure 4  
RJ45 Interconnection Sequence**

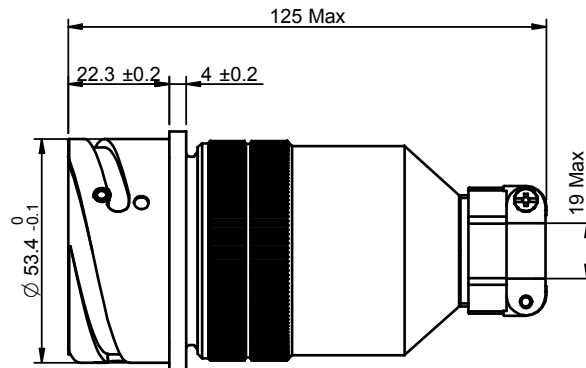
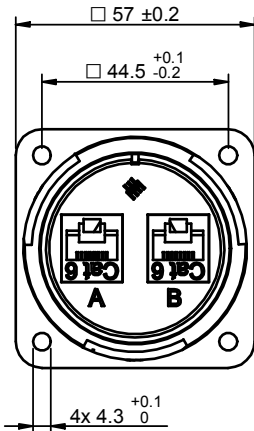


# MIL-DTL-5015 Type Reverse Bayonet Coupling (Series ITS) with Double RJ45 Connectors

CONFIGURATIONS AVAILABLE : ITS 00 - DOUBLE RJ45

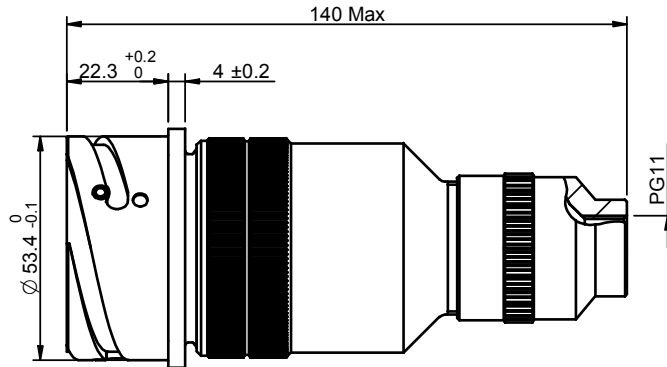
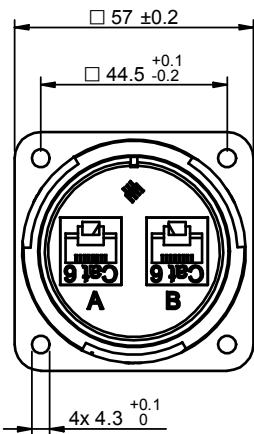
Suitable for n.2 RJ45 cables  $\varnothing$  5,5 / min.

Front View



FRITS0032-2RJ45-1N1F6

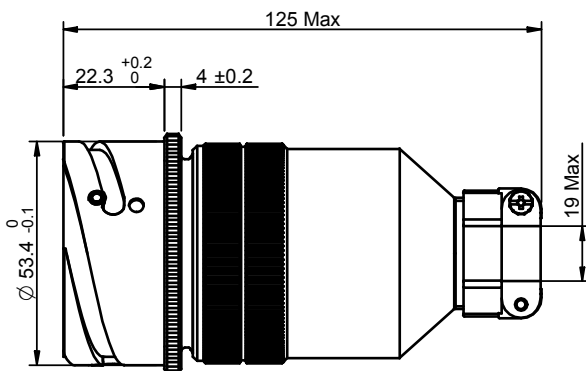
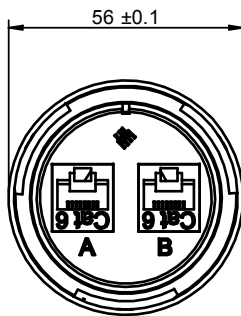
Front View



FRITS0032-2RJ45-1PGF6

CONFIGURATIONS AVAILABLE : ITS 01 - DOUBLE RJ45

Front View



FRITS0132-2RJ45-1N1F6

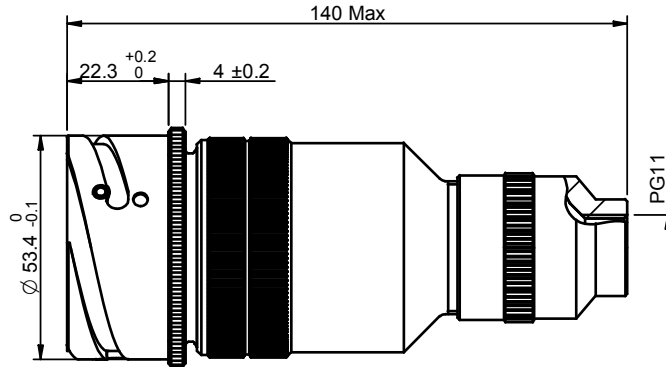
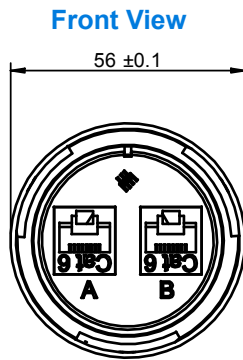
# MIL-DTL-5015 Type Reverse Bayonet Coupling (Series ITS) with Double RJ45 Connectors



High-Speed  
Connectors

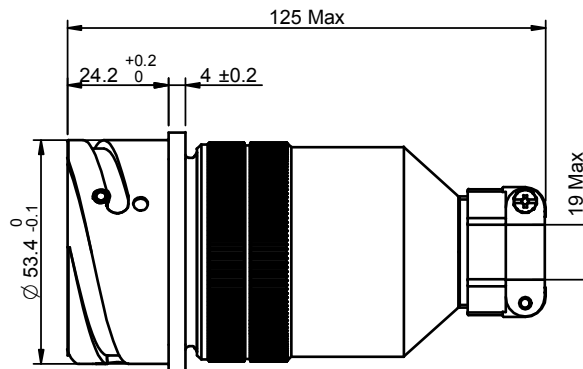
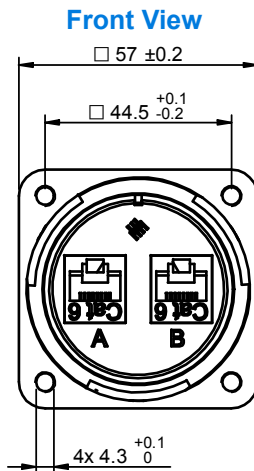
CONFIGURATIONS AVAILABLE : ITS 01 - DOUBLE RJ45

Suitable for n.2 RJ45 cables  $\varnothing$  5,5 / min.

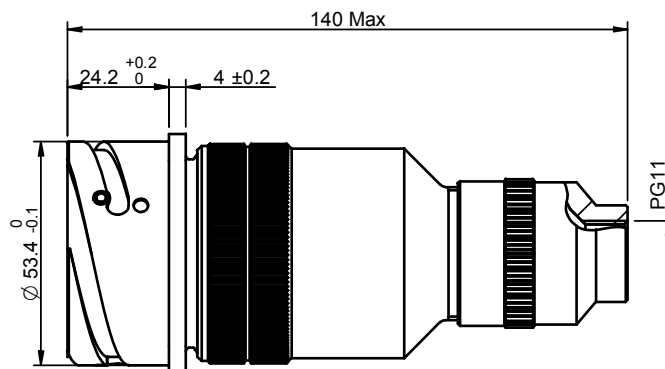
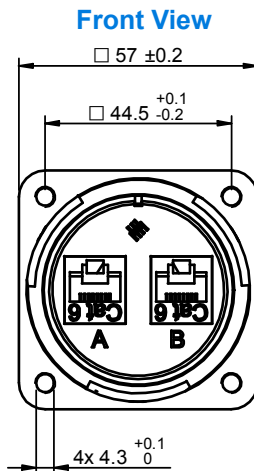


**FRITS0132-2RJ45-1PGF6**

CONFIGURATIONS AVAILABLE : ITS 030 - DOUBLE RJ45



**FRITS03032-2RJ45-1N1F6**



**FRITS03032-2RJ45-1N1F6**

Connectors

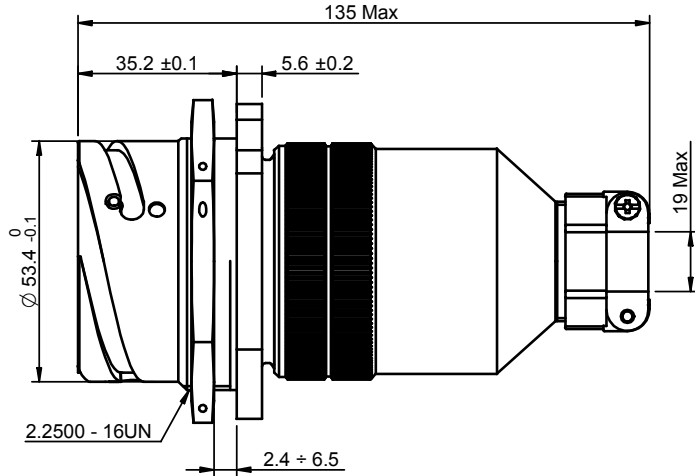
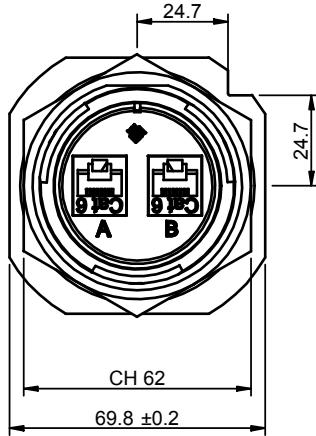


MIL-DTL-5015 Type Reverse Bayonet Coupling  
(Series ITS)  
with Double RJ45 Connectors

CONFIGURATIONS AVAILABLE : ITS 070 - DOUBLE RJ45

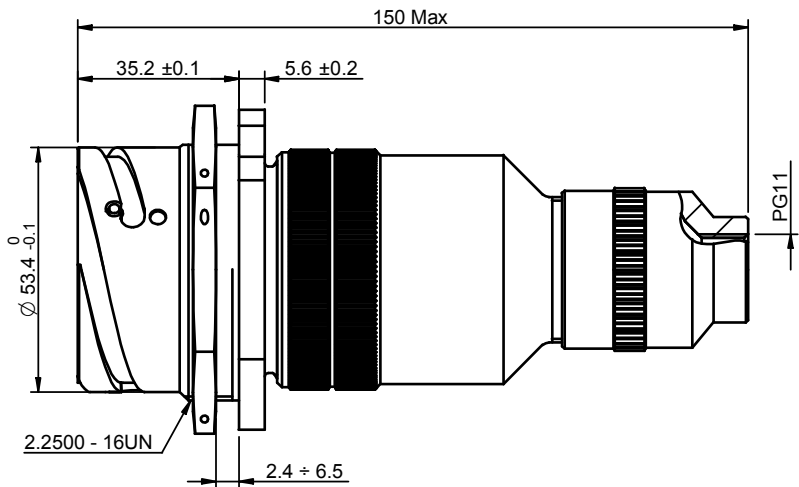
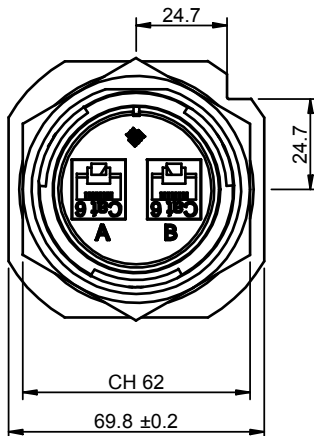
Suitable for n.2 RJ45 cables  $\varnothing$  5,5 / min.

Front View



FRITS07032-2RJ45-1N1F6

Front View



FRITS07032-2RJ45-1PGF6

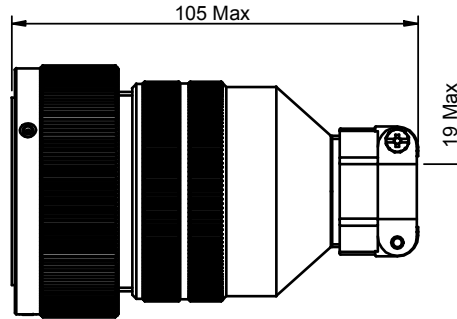
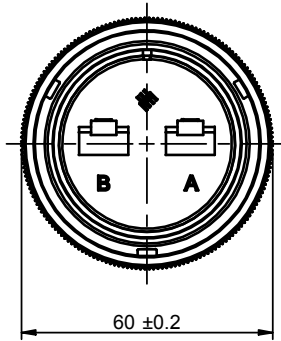
# MIL-DTL-5015 Type Reverse Bayonet Coupling (Series ITS) with Double RJ45 Connectors



High-Speed  
Connectors

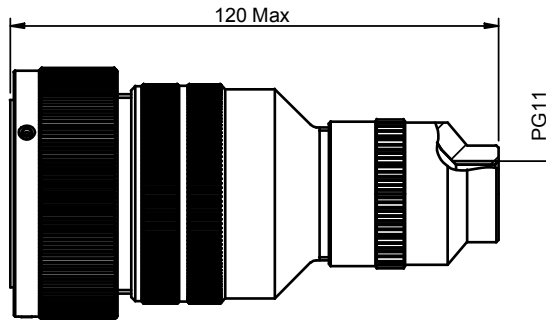
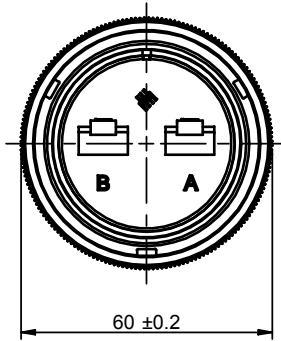
CONFIGURATIONS AVAILABLE : ITS 06 - DOUBLE RJ45

Front View



FRITS0632-2RJ45-3N1F6

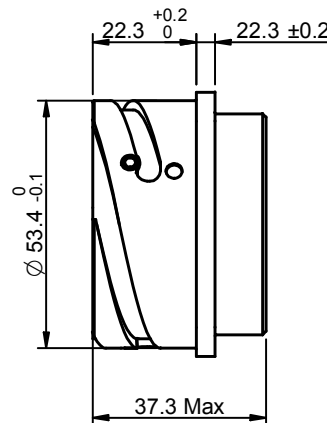
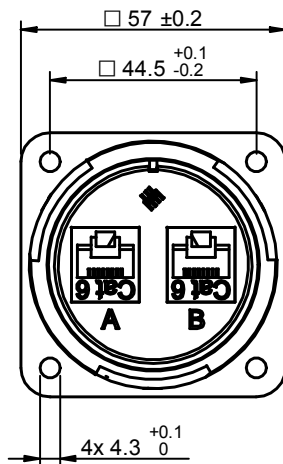
Front View



FRITS0632-2RJ45-3PGF6

CONFIGURATIONS AVAILABLE : ITS 02 - DOUBLE RJ45

Front View



FRITS0232-2RJ45-1F6

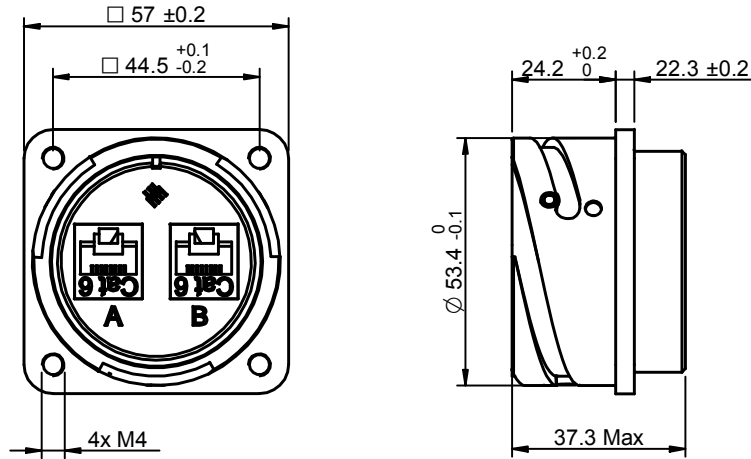
Connectors



MIL-DTL-5015 Type Reverse Bayonet Coupling  
(Series ITS)  
with Double RJ45 Connectors

CONFIGURATIONS AVAILABLE : ITS 03 - DOUBLE RJ45

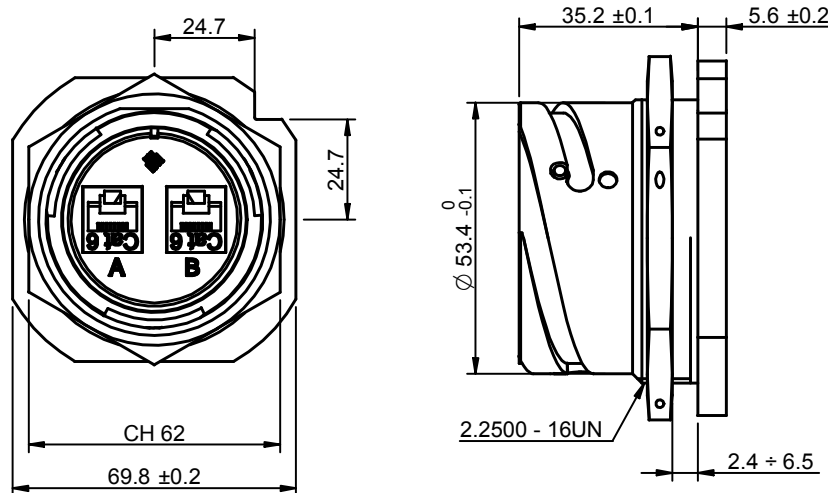
Front View



FRITS0332-2RJ45-1F6

CONFIGURATIONS AVAILABLE : ITS 07 - DOUBLE RJ45

Front View



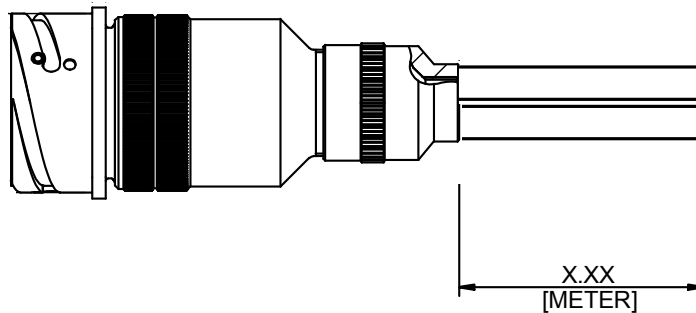
FRITS0732-2RJ45-1F6

# MIL-DTL-5015 Type Reverse Bayonet Coupling (Series ITS) with Double RJ45 Connectors



PIGTAIL GENERAL SKETCHES AND CONFIGURATIONS AVAILABLE

## Female with Pigtail for Configuration : 00 - 01 - 030 - 070



EXAMPLE : FRITS0032-2RJ45-21.5PHMF6 → 1.5 mt Pigtail

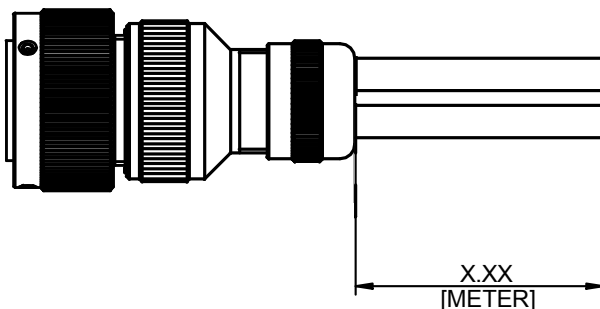
Female with Pigtail for Configuration : 00
FRITS0032-2RJ45-2X.xxN1F6
FRITS0032-2RJ45-2X.xxPGF6

Female with Pigtail for Configuration : 030
FRITS03032-2RJ45-2X.xxN1F6
FRITS03032-2RJ45-2X.xxPGF6

Female with Pigtail for Configuration : 01
FRITS0132-2RJ45-2X.xxN1F6
FRITS0132-2RJ45-2X.xxPGF6

Female with Pigtail for Configuration : 070
FRITS07032-2RJ45-2X.xxN1F6
FRITS07032-2RJ45-2X.xxPGF6

## Male with Pigtail for Configuration : 06



Female with Pigtail for Configuration : 06
FRITS0632-2RJ45-4X.xxN1F6
FRITS0632-2RJ45-4X.xxPGF6

EXAMPLE : FRITS0632-2RJ45-41.5PHMF6 → 1.5 mt Pigtail