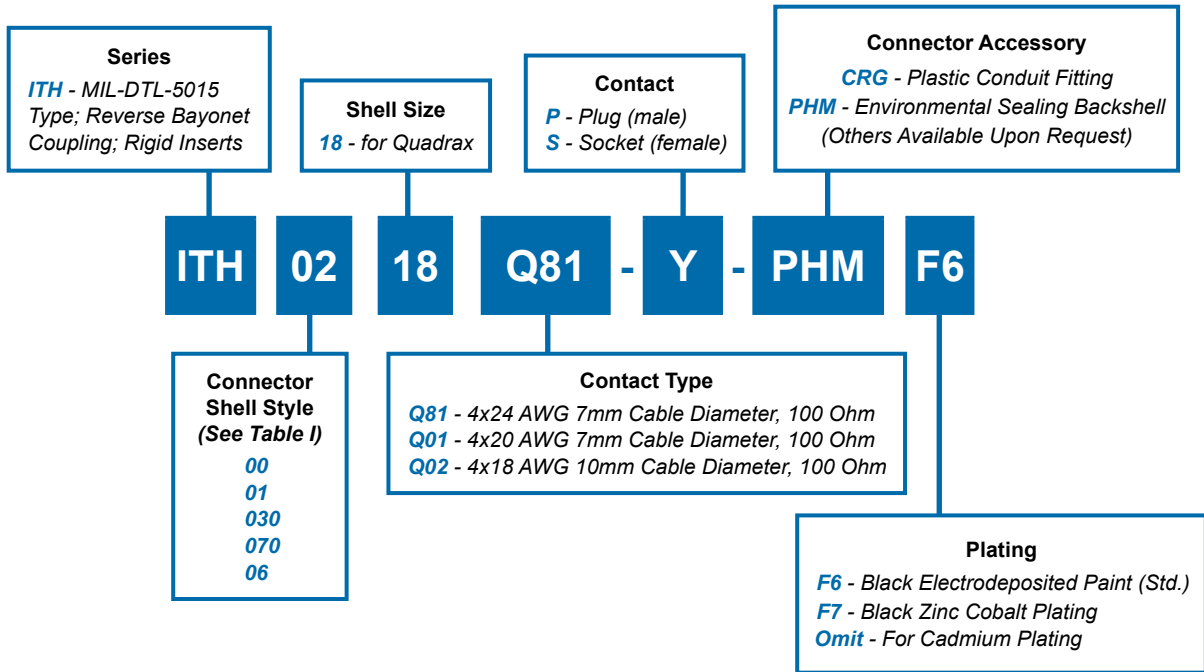




# MIL-DTL-5015 Type Reverse Bayonet Coupling (Series ITH) Quadrax Connector



**Figure 1**  
**Receptacle (Front)**



**Figure 2**  
**Plug (Front)**

# MIL-DTL-5015 Type Reverse Bayonet Coupling (Series ITH) Quadrax Connector



**TABLE I**

**Connector Shell  
Detailed Description**

**00** - Front Panel Mount  
Square Flange Receptacle  
with Accessory Threads

**01** - In Line Cylindrical  
Receptacle with Accessory  
Threads

**030** - Rear Panel Mount  
Square Flange Receptacle  
with Accessory Threads

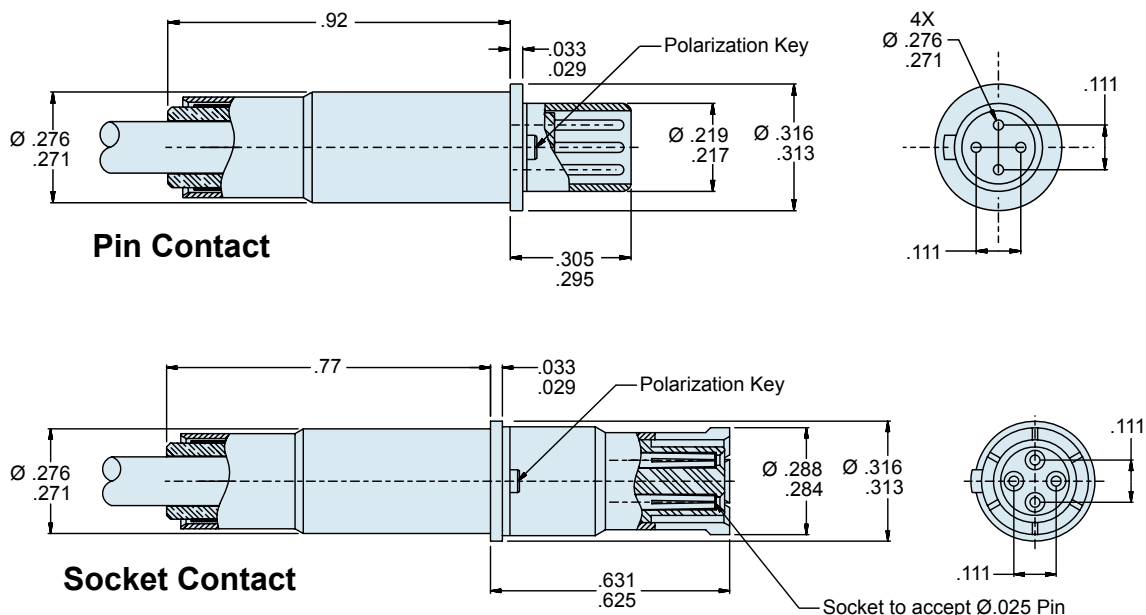
**070** - Rear Panel Mount  
Jam Nut Receptacle with  
Accessory Threads

**06** - Straight Cylindrical Plug  
Connector with Accessory  
Threads

High Speed quadrax connectors offer a host of data transmission benefits, but are often hamstrung by their lack of environmental sealing and durability. Glenair recognized this and created a high speed quadrax contact housed within a rugged ITH series reverse bayonet 5015 type connector. Users can now satisfy their high speed data transmission needs with the reliability of an environmentally sealed and backshell compatible connection system. The ITH Gigastar connector is available with three different contacts and black electrodeposited and black zinc cobalt plating options. Cadmium plating is also available.

TECHNICAL CHARACTERISTICS	
Suitable for cables equivalent to CAT. 5	
Attenuation	.3 dB @ 100MHz (typical per contact pair)
Crosstalk	≥40 dB @ 100 MHz (typical)
Max Contact Resistance	15 mΩ
Characteristic Impedance	150 Ω (100 MHz - 1 GHz)
Working Temperature	-40° C to +100° C
Environmental Rating	IP67 (mated)
Contacts	Q81 - 4x24 AWG 7mm Cable Diameter, 100 Ohm Q01 - 4x20 AWG 7mm Cable Diameter, 100 Ohm Q02 - 4x18 AWG 10mm Cable Diameter, 100 Ohm

## QUADRAX CONTACTS

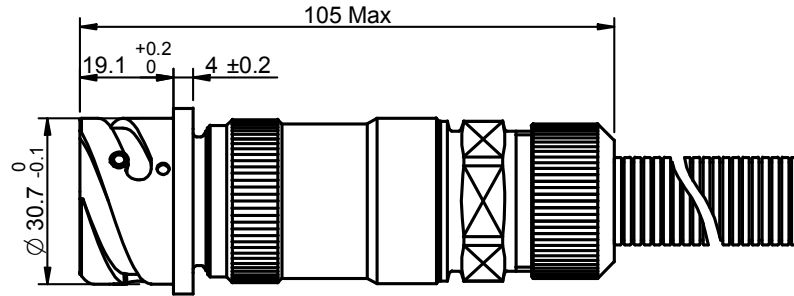
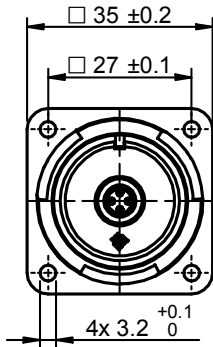




MIL-DTL-5015 Type Reverse Bayonet Coupling  
(Series ITH)  
Quadrx Connector

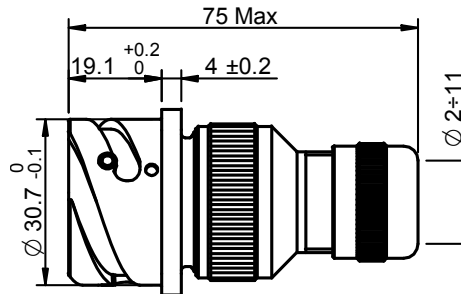
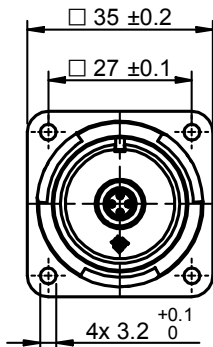
CONFIGURATIONS AVAILABLE : ITH 00

Front View



ITH0018QXX-Y-CRGF6

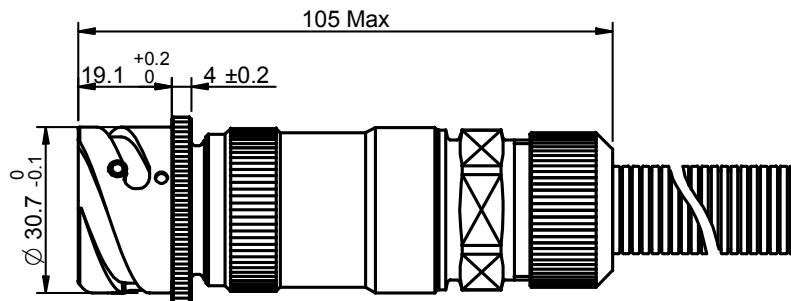
Front View



ITH0018QXX-Y-PHMF6

CONFIGURATIONS AVAILABLE : ITH 01

Front View



ITH0118QXX-Y-CRGF6

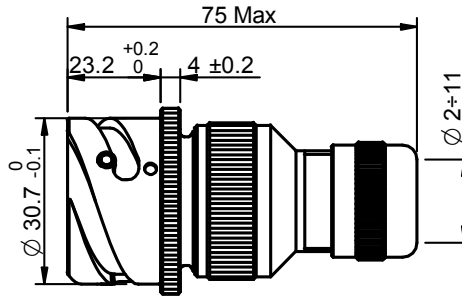
MIL-DTL-5015 Type Reverse Bayonet Coupling  
(Series ITH)  
Quadrx Connector



High-Speed  
Connectors

CONFIGURATIONS AVAILABLE : ITH 01

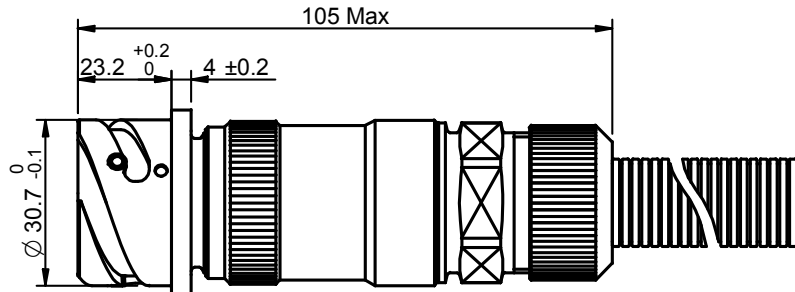
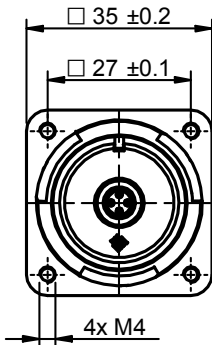
Front View



ITH0118QXX-Y-PHMF6

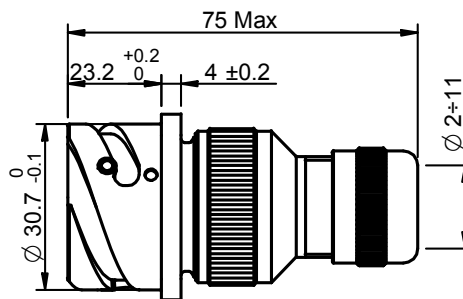
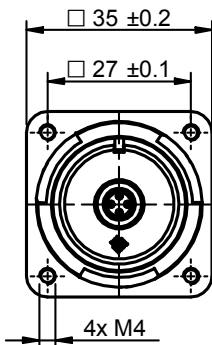
CONFIGURATIONS AVAILABLE : ITH 030

Front View



ITH03018QXX-Y-CRGF6

Front View



ITH03018QXX-Y-PHMF6

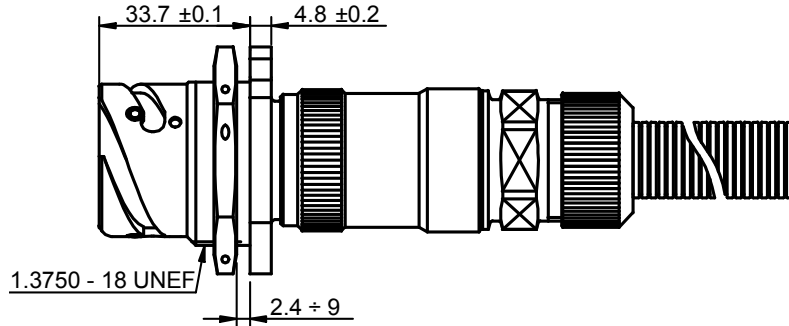
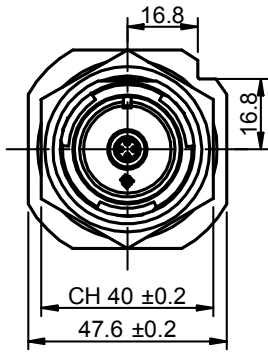
Connectors



MIL-DTL-5015 Type Reverse Bayonet Coupling  
(Series ITH)  
Quadrax Connector

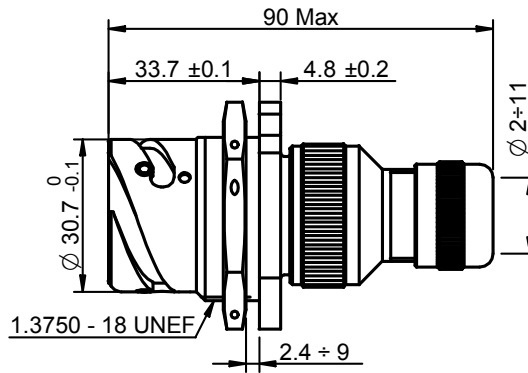
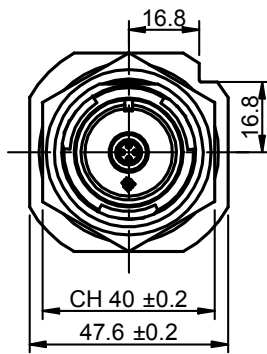
CONFIGURATIONS AVAILABLE : ITH 070

Front View



ITH07018QXX-Y-CRGF6

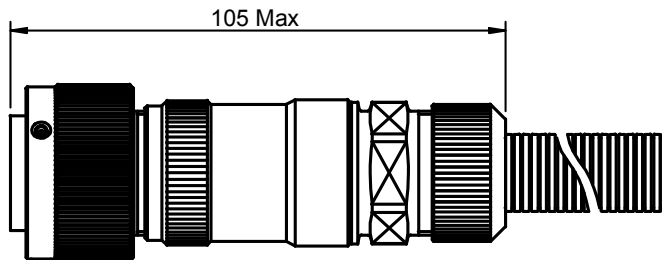
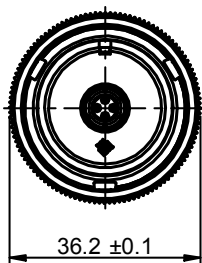
Front View



ITH07018QXX-Y-PHMF6

CONFIGURATIONS AVAILABLE : ITH 06

Front View



ITH0618QXX-Y-CRGF6

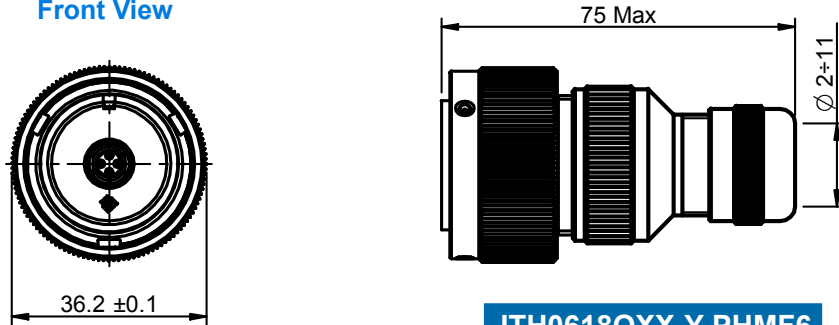
# MIL-DTL-5015 Type Reverse Bayonet Coupling (Series ITH) Quadrx Connector



High-Speed  
Connectors

CONFIGURATIONS AVAILABLE : ITH 06

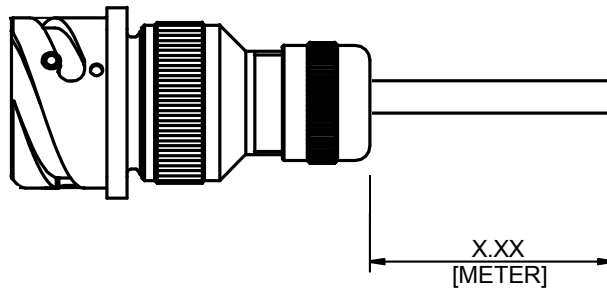
Front View



**ITH0618QXX-Y-PHMF6**

CONFIGURATIONS AVAILABLE : ITH 01

Female with Pigtail for Configuration : 00 - 01 - 030 - 070



EXAMPLE : **ITH0018QXX-Y-1.5PHMF6** → 1.5 mt Pigtail

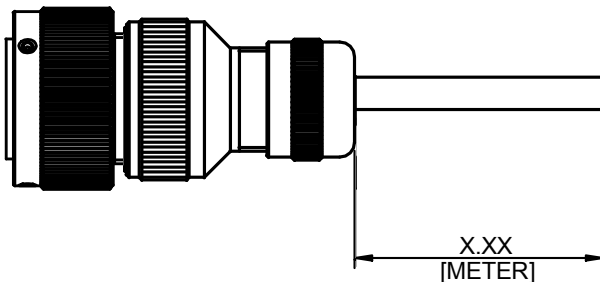
Female with Pigtail for Configuration : 00
<b>ITH0018QXX-Y-Z.zzCRGF6</b>
<b>ITH0018QXX-Y-Z.zzPHMF6</b>

Female with Pigtail for Configuration : 030
<b>ITH03018QXX-Y-Z.zzCRGF6</b>
<b>ITH03018QXX-Y-Z.zzPHMF6</b>

Female with Pigtail for Configuration : 01
<b>ITH0118QXX-Y-Z.zzCRGF6</b>
<b>ITH0118QXX-Y-Z.zzCRGF6</b>

Female with Pigtail for Configuration : 070
<b>ITH07018QXX-Y-Z.zzCRGF6</b>
<b>ITH07018QXX-Y-Z.zzPHMF6</b>

Male with Pigtail for Configuration : 06



Female with Pigtail for Configuration : 06
<b>ITH0618QXX-Y-Z.zzCRGF6</b>
<b>ITH0618QXX -Y-Z.zzPHMF6</b>

EXAMPLE : **ITH0618QXX-Y-1.5PHMF6** → 1.5 mt Pigtail

Connectors