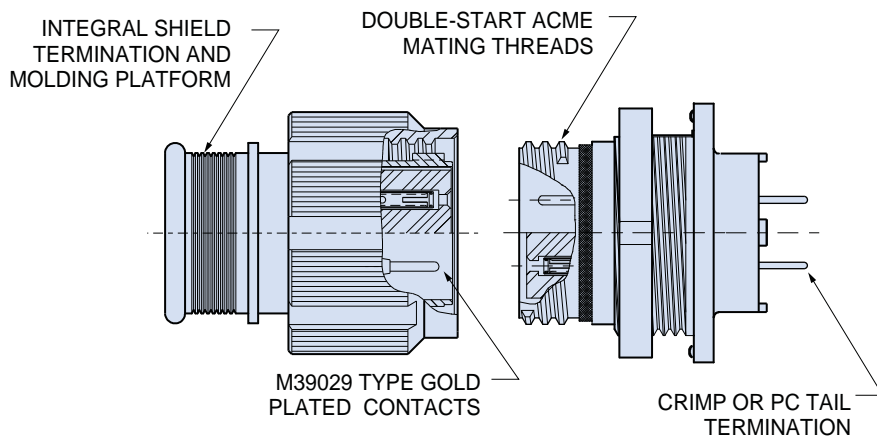




Series 801 Mighty Mouse *High-Speed* Double-Start ACME Thread Connectors

General information



- **Double-Start ACME Thread with anti-decoupling spring or ratchet**
- **Special Purpose PFA (Teflon) Insulators**
- **Crimp Rear Release Contacts**
- **Integral Band Platform**
- **Supplied with Size #23 Gold-Plated Copper Alloy Crimp, PCB, or Solder Cup Contacts**
- **Environmentally Sealed**



Series 801 *High-Speed* Mighty Mouse Plug and Receptacle Connectors

The 801 Series *High Speed* Mighty Mouse is ideal for use in USB 2.0, eSATA and other high-speed databus applications. The connector is equipped with special PFA (Teflon) insulators and is optimized for use with high-speed differential wire such as our 859-041 Series cable. Three insert arrangements are offered with 4, 7 and 10 size #23 contacts. The high-density, small form factor connector is suited for applications where traditional military circular connectors are too large or too heavy. The double-start threads provide full mating in 1½ turns, and the plug features an anti-decoupling spring for vibration resistance. The unique integral molding/band platform allows direct shield attachment and cable overmolding. Receptacles are available with printed circuit board contacts. Plugs have anti-decoupling wave spring, or specify ratchet mechanism for added security.

High Speed Performance	
Impedance	100 OHMS ±7 OHMS at 100-Picosecond
VSWR	<1.4 up to 4-GHz

In order to achieve high speed performance, this Connector must be mated to another high speed Mighty Mouse Connector. Data taken with adjacent pairs and grommet removed. Please consult factory for impedance and VSWR measurements with grommets intact.

Insertion Loss	
1 GHz	.51 dB
2 GHz	.53 dB
3 GHz	.57 dB
4 GHz	1.2 dB
5 GHz	1.25 dB

Data taken with adjacent pairs and grommet removed. Please consult factory for insertion loss measurements with grommets intact.

Dimensions in Inches (millimeters) are subject to change without notice.

**Series 801 Mighty Mouse High-Speed
Double-Start ACME Thread Connectors**
General information



Double-Start ACME Threads resist cross-threading and shearing. These aerospace-grade Series 801 plugs feature 1½ turns of the coupling nut to full mating.

Two Shell Styles: Integral platform for direct shield attachment using **Band-Master™ ATS** advanced termination system, or accessory thread for attaching a strain relief.

Crimp, Rear Release contact system, with #23 contacts.

Printed Circuit Board and Solder Cup versions with precision machined low profile shells.

Harsh Environment: fluorosilicone seals, aluminum or stainless steel shells, and gold-plated copper alloy contacts for superior performance in demanding applications.

High Speed: Special purpose PFA (Teflon) insulators deliver superior Impedance, VSWR and insertion loss values.

Specifications	
Current Rating	5 AMPS
Dielectric Withstanding Voltage	500 VAC RMS
Insulation Resistance	5000 megohms minimum
Operating Temperature	-65° C. to +150° C.
Shock	300 g.
Vibration	37 g.
Shielding Effectiveness	55 dB minimum from 100MHz to 1000MHz.
Durability	2000 mating cycles

Materials and Finishes	
Shells, Jam Nuts	Aluminum alloy or stainless steel
Contacts	Copper alloy, 50 µInch gold plated
Insulators	PFA
Contact Retention Clip	Beryllium copper alloy
Interfacial Seal, O-rings, Wire Sealing Grommet	Fluorosilicone rubber

Insert Arrangements Mating Face View of Pin Connector (Socket Connector Numbers are Reversed)		
<p>6 - 4</p> <p>Shell Size 6 4 Size #23 Contacts</p>	<p>6 - 7</p> <p>Shell Size 6 7 Size #23 Contacts</p>	<p>7 - 10</p> <p>Shell Size 7 10 Size #23 Contacts</p>

Dimensions in Inches (millimeters) are subject to change without notice.