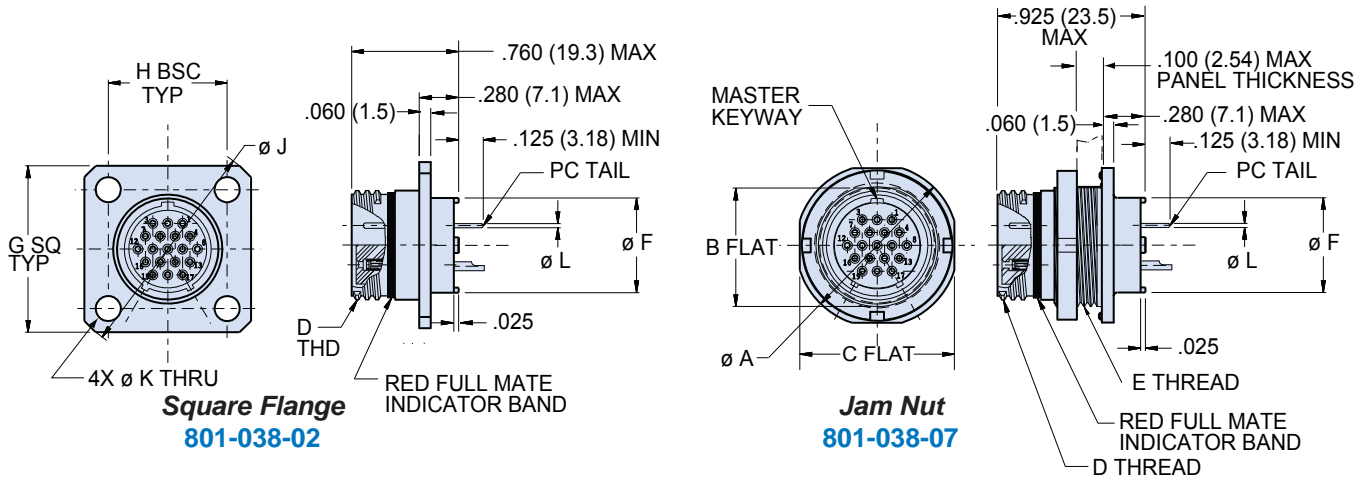


801-038

Series 801 Mighty Mouse High-Speed Double-Start ACME Threads -02 Square Flange and -07 Jam Nut Dimensions

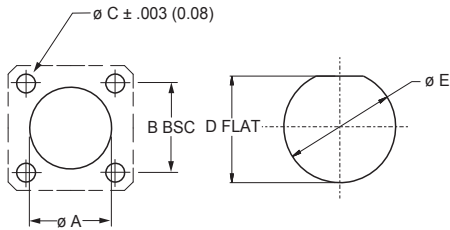


Series 801
High Speed
Mighty Mouse



Dimensions

Shell Size	Ø A		B Flat		C Flat		D Thread	E Thread UN-2A	Ø F		G Sq.		H BSC		Ø J		Ø K In. ±.003	mm. ±0.08	Ø L Tail Dia. #23 .018/.022 (0.46/0.56)
	In.	mm.	In.	mm.	In.	mm.			In.	mm.	In.	mm.	In.	mm.	In.	mm.			
6	.635	16.13	.410	10.41	.595	15.11	.375-.05P-.1L-2A	.4375-28	.330	8.38	.590	14.99	.423	10.74	.750	19.05	.093	2.36	
7	.755	19.18	.536	13.61	.723	18.36	.4375-.05P-1L2A	.5625-32	.432	10.97	.650	16.51	.483	12.27	.850	21.59	.093	2.36	



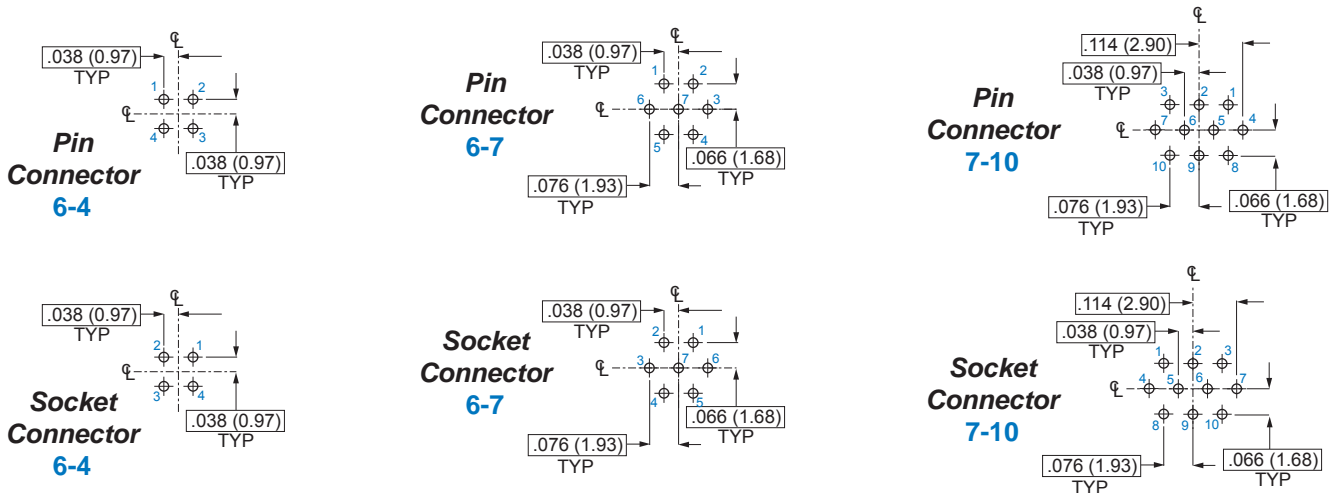
02 Square Flange

07 Jam Nut

Panel Cutout

Shell Size	Ø A		Ø B		Ø C		D Flat		Ø E	
	In.	mm.	In.	mm.	In.	mm.	In. ± .002	mm. ± 0.05	In. ± .002	mm. ± 0.05
6	.390	9.91	.423	10.74	.093	2.36	.416	10.57	.447	11.35
7	.450	11.43	.483	12.27	.093	2.36	.542	13.77	.572	14.53

Straight PCB Footprints



Dimensions in Inches (millimeters) are subject to change without notice.