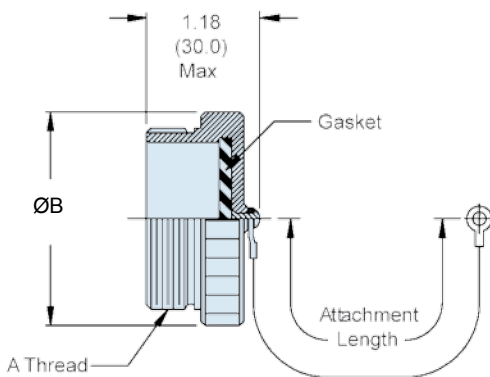
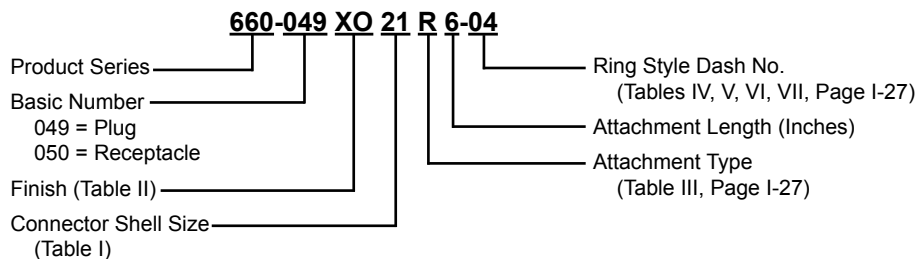
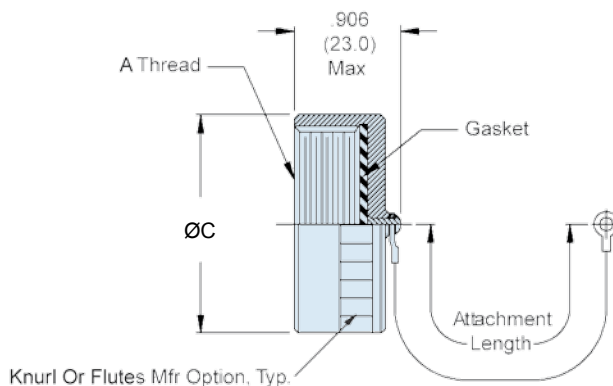


**660-049 • 660-050**  
**Composite MIL-DTL-38999 Series III**  
**Threaded Protective Covers**



**660-049**  
**MIL-C-38999/32 PLUG COVER**



**660-050**  
**MIL-C-38999/33 RECEPTACLE COVER**

**TABLE I: CONNECTOR SHELL SIZE**

| Shell Size | A Thread            | B Dia Max    | C Dia Max    |
|------------|---------------------|--------------|--------------|
| 09         | .6250-0.1P-0.3L-TS  | .906 (23.0)  | .906 (23.0)  |
| 11         | .7500-0.1P-0.3L-TS  | 1.024 (26.0) | 1.102 (28.0) |
| 13         | .8750-0.1P-0.3L-TS  | 1.220 (31.0) | 1.220 (31.0) |
| 15         | 1.0000-0.1P-0.3L-TS | 1.300 (33.0) | 1.260 (32.0) |
| 17         | 1.1875-0.1P-0.3L-TS | 1.457 (37.0) | 1.457 (37.0) |
| 19         | 1.2500-0.1P-0.3L-TS | 1.575 (40.0) | 1.535 (39.0) |
| 21         | 1.3750-0.1P-0.3L-TS | 1.732 (44.0) | 1.654 (42.0) |
| 23         | 1.5000-0.1P-0.3L-TS | 1.811 (46.0) | 1.772 (45.0) |
| 25         | 1.6250-0.1P-0.3L-TS | 1.969 (50.0) | 1.929 (49.0) |

**TABLE III: FINISH**

| SYM       | MATERIAL  | FINISH                                     |
|-----------|-----------|--|
| <b>XM</b> | Composite | Electroless Nickel                         |
| <b>XW</b> | Composite | Cadmium Olive Drab over Electroless Nickel |
| <b>XB</b> | Composite | No Plating - Black Material                |
| <b>XO</b> | Composite | No Plating - Base Material Non-Conductive  |