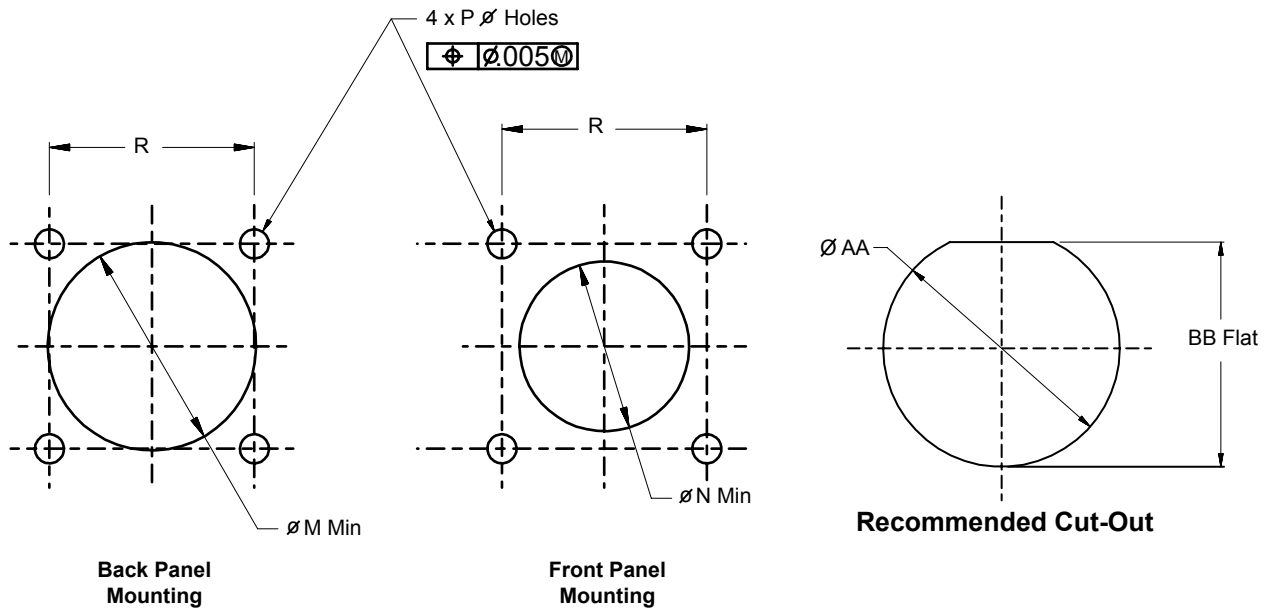


180-091
 MIL-DTL-38999 Style Fiber Optic Connector
 Panel Cut-Out and Panel Mounting Holes



Recommended Mounting Holes for
 Wall Mount Receptacle

TABLE I: SHELL SIZE							
Shell Size Code	Shell Size	AA Dia	BB Flat	ø M Min	ø N Min	ø P Holes	R BSC
B	11	.835 (21.2)	.771 (19.6)	.796 (20.2)	.625 (15.9)	.133 (3.4)	.812 (20.6)
		.825 (21.0)	.761 (19.3)				
C	13	1.020 (25.9)	.955 (24.3)	.922 (23.4)	.750 (19.1)	.133 (3.4)	.906 (23.0)
		1.010 (25.7)	.945 (24.0)				
D	15	1.145 (29.1)	1.085 (27.6)	1.047 (26.6)	.906 (23.0)	.133 (3.4)	.969 (24.6)
		1.135 (28.8)	1.075 (27.3)				
E	17	1.270 (32.3)	1.210 (30.7)	1.219 (31.0)	1.016 (25.8)	.133 (3.4)	1.062 (27.0)
		1.260 (32.0)	1.200 (30.5)				
F	19	1.395 (35.4)	1.335 (33.9)	1.297 (32.9)	1.141 (29.0)	.133 (3.4)	1.156 (29.4)
		1.385 (35.2)	1.325 (33.7)				
G	21	1.520 (38.6)	1.460 (37.1)	1.422 (36.1)	1.266 (32.2)	.133 (3.4)	1.250 (31.8)
		1.510 (38.4)	1.450 (36.8)				
H	23	1.645 (41.8)	1.585 (40.3)	1.547 (39.3)	1.375 (34.9)	.159 (4.0)	1.375 (34.9)
		1.635 (41.5)	1.575 (40.0)				
J	25	1.770 (45.0)	1.710 (43.4)	1.672 (42.5)	1.484 (37.7)	.155 (3.9)	1.500 (38.1)
		1.760 (44.7)	1.700 (43.2)				

Metric dimensions (mm) are indicated in parentheses