

180-040 (-06, -16, -26, -36)
MIL-PRF-28876 Style Plug Connector
 for use with MIL-PRF-29504/14 and /15 Termini

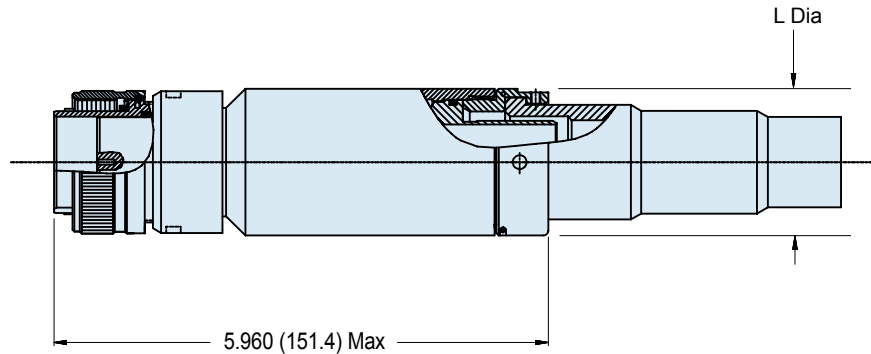
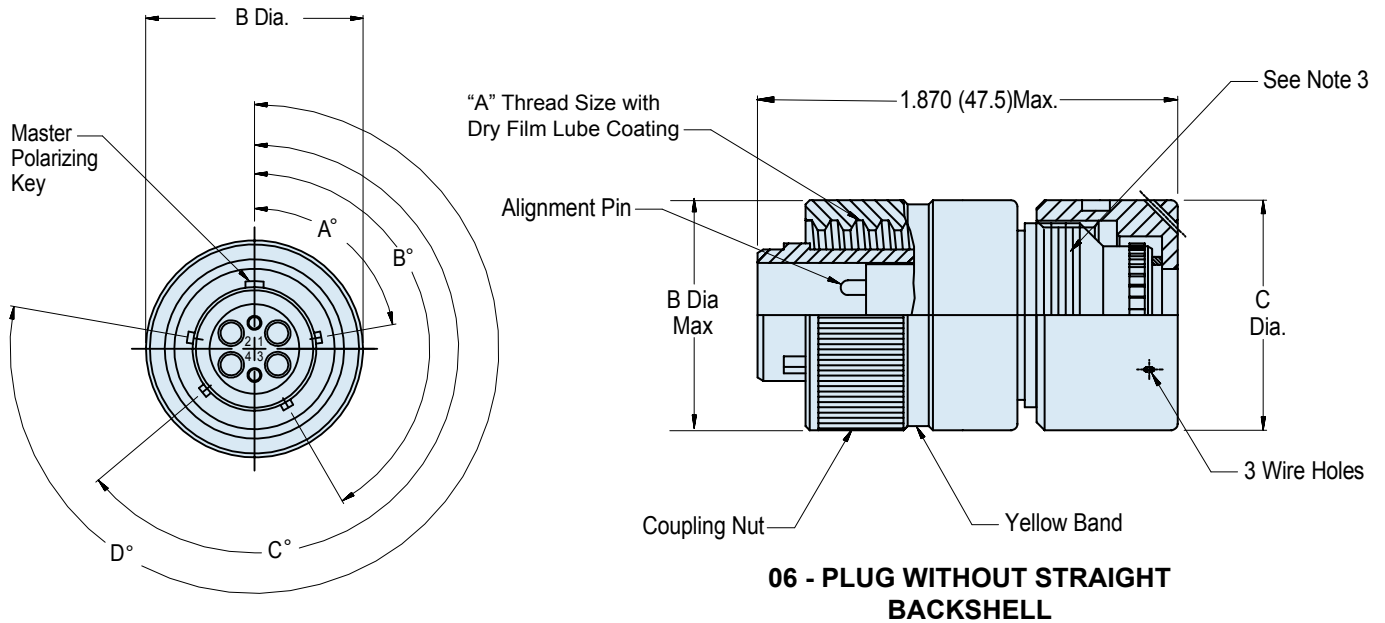


TABLE VI: SHELL SIZE

Shell Size	B Dia Max	C Dia Max	L Dia Max	"A" Thread Size .1P-.2L-DS
11	1.028 (26.1)	.960 (24.4)	.960 (24.4)	.750 (19.05)
13	1.141 (29.0)	1.085 (27.6)	1.085 (27.6)	.875 (22.2)
15	1.263 (32.1)	1.255 (31.9)	1.255 (31.9)	1.062 (26.9)
23	1.705 (43.3)	1.695 (43.1)	1.763 (44.8)	1.500 (38.1)