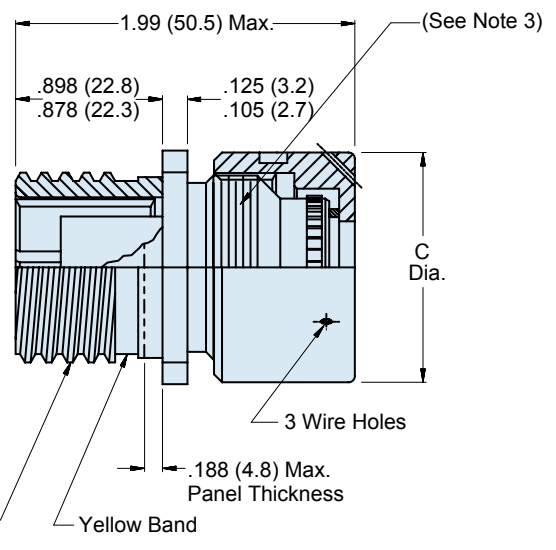
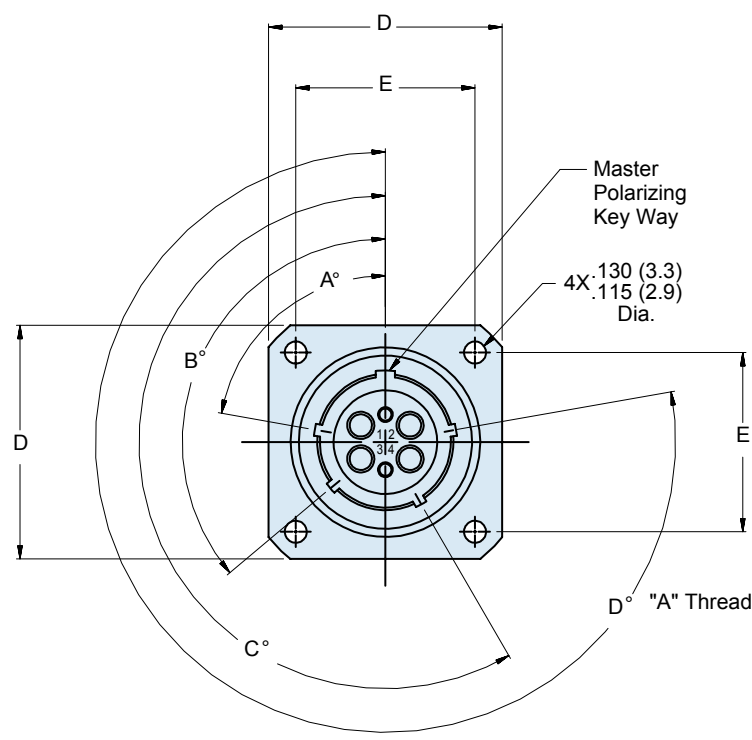
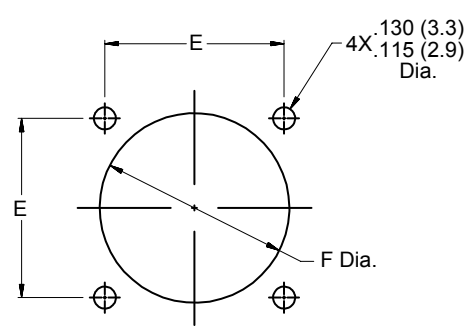




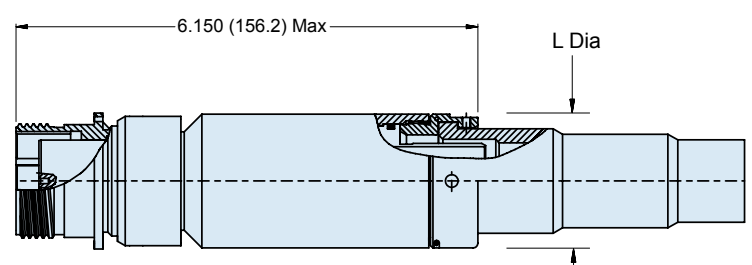
**180-040 (-03, -13, -23, -33)**  
**MIL-PRF-28876 Style Wall Mount Receptacle Connector**  
 for use with MIL-PRF-29504/14 and /15 Termini



**03 - WALL MOUNT RECEPTACLE WITHOUT BACKSHELL**



**RECOMMENDED PANEL CUT-OUT**



**13 - WALL MOUNT RECEPTACLE WITH STRAIGHT BACKSHELL**

TABLE VI: SHELL SIZE						
Shell Size	D ± .020 (0.5)	E	F Dia ± .005 (0.1)	C Dia Max	L Dia Max	"A" Thread Size .1P-.2L-DS
11	1.022 (26.0)	.750 (19.1)	.812 (20.6)	.960 (24.4)	.960 (24.4)	.750 (19.05)
13	1.137 (28.9)	.843 (21.4)	.937 (23.8)	1.085 (27.6)	1.085 (27.6)	.875 (22.2)
15	1.257 (31.9)	.968 (24.6)	1.124 (28.5)	1.255 (31.9)	1.255 (31.9)	1.062 (26.9)
23	1.718 (43.6)	1.281 (32.5)	1.562 (39.7)	1.695 (43.1)	1.763 (44.8)	1.500 (38.1)