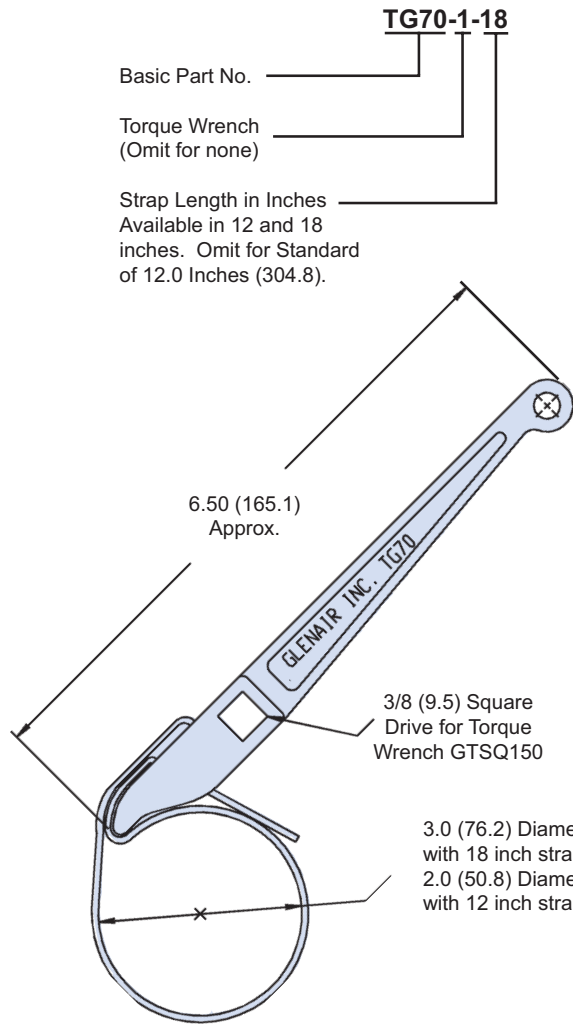


# TG70 Strap Wrench TG82 Strap Wrench

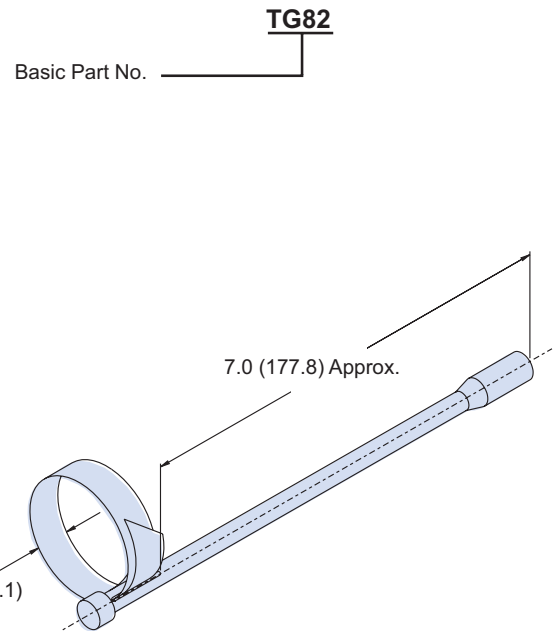


MIL-PRF  
24758A



**TG70 Strap Wrench**

1. Material / Finish:  
Wrench Handle - Aluminum Ally/Nickel Plate  
Wedge - Stainless Steel/Passivated  
Strap - Impregnated Fabric
2. Replacement straps are available. Specify part number  
G70515 for 12 inch strap or part number G70515-18 for 18  
inch strap.
3. Metric dimensions (mm) are indicated in parentheses.



**TG82 Strap Wrench**

TG82  
Strap Wrench  
2.50 (63.5) Max Capacity  
(1/4 Drive)

Replacement straps are available  
under part number G62748-11.

Consult factory for  
other lengths.

