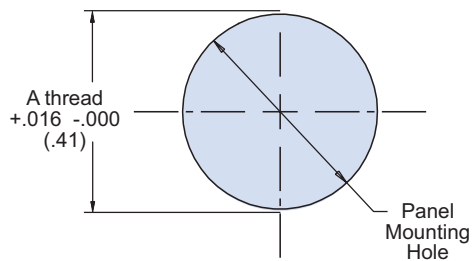
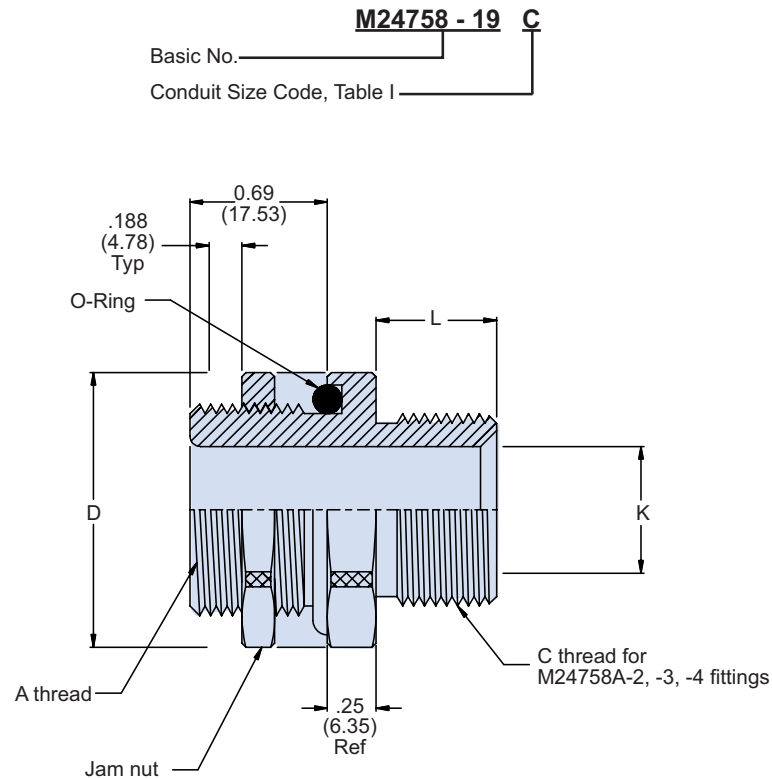


MIL-PRF-24758-19 Adapter for Panel Termination



APPLICATION NOTES

1. Assembly identified with manufacturer's code identification number (Glenair, part number and classification code 490).
2. The function of the M24758-19 provides the capability of terminating a M24758-2, M24758-3 or M24758-4 series fittings to a panel with the jam nut on the inside.
3. Material / Finish:
Adapter - 316 / electroless nickel, matte finish
4. Metric dimensions (mm) are indicated in parentheses.
5. See M24758-2, -3, -4 torque values for C thread.

**MIL-PRF-24758-19
Adapter for Panel Termination**



MIL-PRF
24758A

TABLE I

CONDUIT SIZE CODE	A CLASS - 2A THREAD	D DIA	C CLASS - 2A THREAD	L +.03 (.76) -.00	K DIA MIN
A	.625-24 UNEF	1.000 (25.40)	.438-28 UNEF	.21 (5.25)	.245 (6.22)
B	.875-20 UNEF	1.250 (31.75)	.688-24 UNEF	.25 (6.35)	.495 (12.57)
C	1.188-18 UNEF	1.562 (39.67)	.938-20 UNEF	.31 (7.87)	.745 (18.92)
D	1.438-18 UNEF	1.812 (46.02)	1.250-18 UNEF	.37 (9.40)	.995 (25.27)
E	1.750-16 UN	2.125 (53.98)	1.563-18 UNEF	.37 (9.40)	1.245 (31.62)
F	2.000-16 UN	2.375 (60.33)	1.875-16 UN	.43 (10.92)	1.495 (37.97)
G	2.500-16 UN	2.875 (73.03)	2.375-16 UN	.43 (10.92)	1.995 (50.67)
H	3.000-16 UN	3.375 (85.73)	2.875-16 UN	.43 (10.92)	2.495 (63.37)
J	.750-20 UNEF	1.125 (28.58)	.563-24 UNEF	.25 (6.35)	.370 (9.40)
K	1.000-20 UNEF	1.500 (38.10)	.813-20 UNEF	.31 (7.87)	.620 (15.75)
L	3.500-16 UN	1.375 (34.93)	3.375-16 UN	.43 (10.92)	2.995 (76.07)