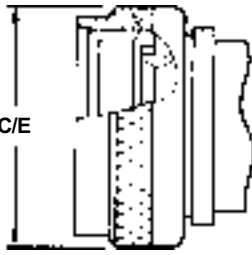
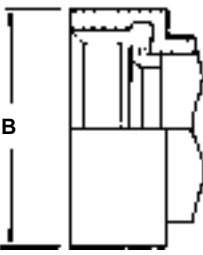
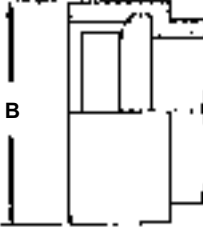
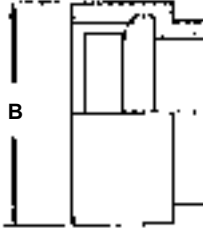
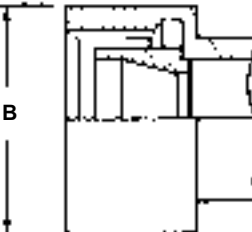


Conduit Connector Fitting Interface Standards



The following illustrations depict the standard fitting or adapter interface for the connector noted. Specification design standards are indicated wherever applicable.

CONNECTOR DESIGNATOR	CONNECTOR SPECIFICATION	SERIES	ROTATABLE COUPLING	DIRECT COUPLING	
A	MIL-C-5015	MS3400			
	MIL-C-26482	2			
	MIL-C-81703	3			
	MIL-C-83723	I & III			
	40M39569				
	CECC 75201.001				
	DEF 5326-3				
	EN 2997				
	EN 3646				
	ESC 10				
	ESC 11				
	LN 29504				
	NFC 93422	HE302			MIL-C-85049 Figure 4 (MS3155)
	PAN 6432-1				
	PAN 6432-2				
PATT 602					
B	MIL-C-5015	MS3100	SEE PAGES 18-19		
C	MIL-C-22992	MS173XX	CONSULT FACTORY		
D	MIL-C-26482	MS312X Series 1	CONSULT FACTORY		



Conduit Connector Fitting Interface Standards

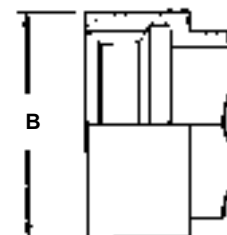
CONNECTOR DESIGNATOR	CONNECTOR SPECIFICATION	SERIES	ROTATABLE COUPLING	DIRECT COUPLING
----------------------	-------------------------	--------	--------------------	-----------------

E

MIL-C-26500

Aluminum
(Class F,
G & R)

CONSULT FACTORY

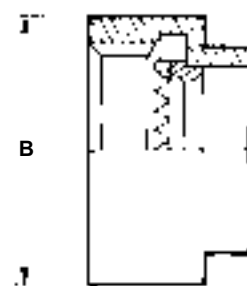
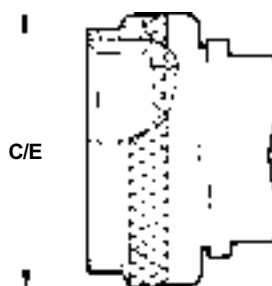


F

MIL-C-38999
40M38277
NFC93422
NFC93422
PAN 6433-1
PATT 614
PATT 616

I & II

HE308
HE309

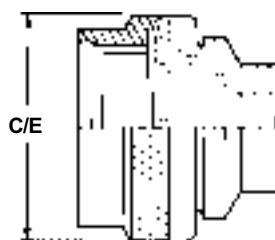


Caution: These connector interfaces are not suitable for total environmental sealing; for further information consult factory.

MIL-C-85049 FIGURE 2
MIL-C-38999 FIGURE 3

G

MIL-C-28840



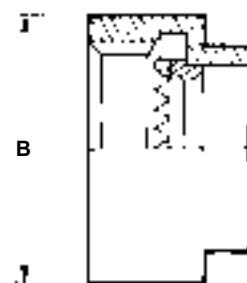
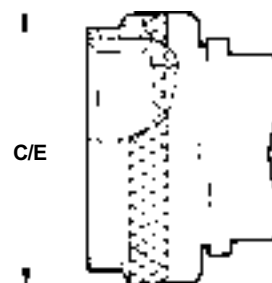
CONSULT FACTORY

MIL-C-28840 FIGURE 7

H

MIL-C-38999
EN3645
CECC 75201.002

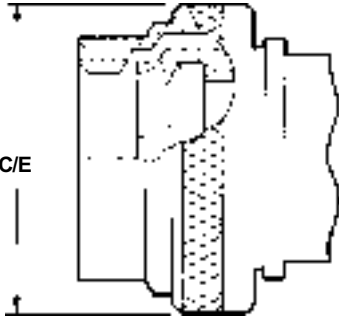
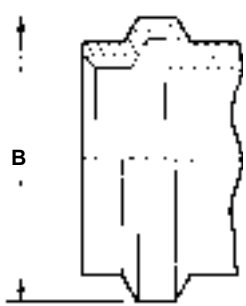
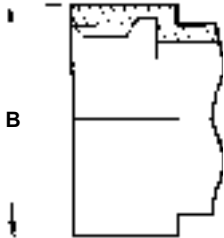
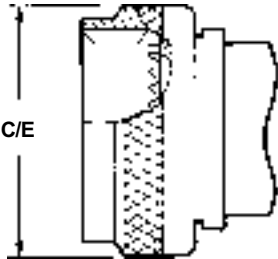
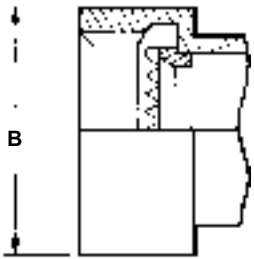
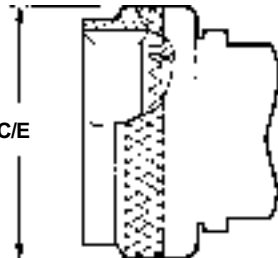
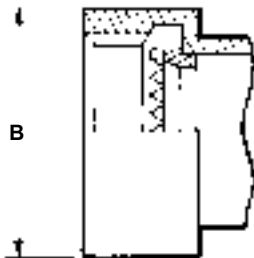
III & IV



MIL-C-85049 FIGURE 3
MIL-C-38999 FIGURE 3

Conduit Connector Fitting Interface Standards



CONNECTOR DESIGNATOR	CONNECTOR SPECIFICATION	SERIES	ROTATABLE COUPLING	DIRECT COUPLING
J	MIL-C-81511 VG95329	1, 2, 3 & 4	 <p>MIL-C-81511 FIGURE 12C</p>	
K	MIL-C-83723	Series II	CONSULTFACTORY	
L	EN3372 JN1003 LN29729 NFC93422 PAN 6433-2 PATT 615 VG 96912	HE306		
S	PATT 105 PATT 603 PATT 608			

CONSULT FACTORY FOR ACCESSORY PART NUMBERS FOR CONNECTOR SERIES NOT SHOWN