

Box Specification Worksheet

Glenair brings a unique strength to junction box systems: the ability to build a turnkey assembly—wired, terminated, tested and complete with all the necessary fittings and accessories. We are the only nonmetallic enclosure manufacturer in the world which can supply an integrated interconnect system of this type. And we are pleased to provide this service at small quantity and prototype levels. This worksheet summarizes the major decision points in the design and development of an interconnect box assembly.

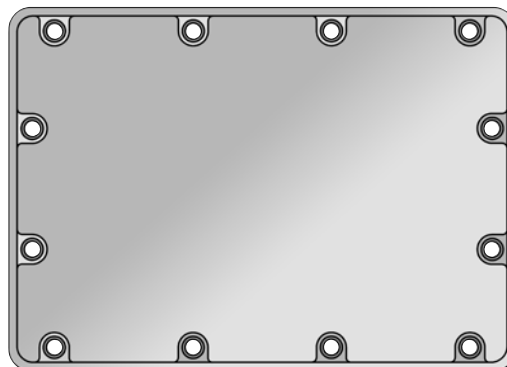
<p>Originator Contact Information</p> <p>Name: _____</p> <p>Location: _____</p> <p>Phone: _____</p> <p>Fax: _____</p> <p>E-Mail: _____</p> <p>Select Box Series Size and Type</p> <p><input type="checkbox"/> Ultra-Miniature Box (140-074)</p> <p><input type="checkbox"/> Mini Junction Box (140-100)</p> <p><input type="checkbox"/> Small Junction Box (140-101)</p> <p><input type="checkbox"/> Medium Junction Box (140-102)</p> <p><input type="checkbox"/> Large Junction Box (140-103)</p> <p><input type="checkbox"/> Jumbo Junction Box (140-107)</p> <p><input type="checkbox"/> Small Low-Profile Box (140-104)</p> <p><input type="checkbox"/> Med Low-Profile Box (140-105)</p> <p><input type="checkbox"/> Small Three-Legged Box (140-106)</p> <p><input type="checkbox"/> Octagonal Box (140-200)</p> <p><input type="checkbox"/> Twelve Port Box (140-203)</p> <p>Select Box Color</p> <p><input type="checkbox"/> Black</p> <p><input type="checkbox"/> Grey</p> <p><input type="checkbox"/> Brown</p>	<p><input type="checkbox"/> Purple</p> <p><input type="checkbox"/> Other _____</p> <p>Select Plating Type</p> <p><input type="checkbox"/> Electroless Nickel/Metallic Finish</p> <p><input type="checkbox"/> Zinc Nickel/Matte black Finish</p> <p><input type="checkbox"/> Ni-PTFE 1000 Hour Gray™</p> <p><input type="checkbox"/> No Plating</p> <p>Select Plating Coverage</p> <p><input type="checkbox"/> Internal Plating with Selectively Plated Entry Holes</p> <p><input type="checkbox"/> External Plating Only</p> <p><input type="checkbox"/> No Plating (non-conductive)</p> <p>Select Grounding Device</p> <p><input type="checkbox"/> Integrated Grounding Foot</p> <p><input type="checkbox"/> Side-Mounted Grounding Stud</p> <p><input type="checkbox"/> None</p> <p>Select Internal Mounting Plate</p> <p><input type="checkbox"/> Yes</p> <p><input type="checkbox"/> No</p>	<p>Specify Internal Terminal Rail Mounting Plate Drilling</p> <p><input type="checkbox"/> Not Applicable</p> <p><input type="checkbox"/> Standard Drilling Per Catalog</p> <p><input type="checkbox"/> Per Customer Drawing</p> <p>Wire/Cable Construction</p> <p><input type="checkbox"/> Standard Armored/Shielded Cable</p> <p><input type="checkbox"/> Glenair Overmolded Cable</p> <p><input type="checkbox"/> Plastic Convuluted Tubing</p> <p><input type="checkbox"/> Metal-Core Conduit</p> <p><input type="checkbox"/> Not Applicable</p> <p>Supply Additional Penetrations with Hole Cap Assemblies?</p> <p><input type="checkbox"/> Yes</p> <p><input type="checkbox"/> No</p> <p><input type="checkbox"/> Not Applicable</p> <p>Glenair to Provide Turnkey Assembly of Box Components?</p> <p><input type="checkbox"/> Yes. (Bill of Materials and/or Drawing Required)</p> <p><input type="checkbox"/> No</p> <p><input type="checkbox"/> Not Applicable</p>
---	---	--

Select/Indicate Connector and Fitting Locations:

Indicate the locations of your selected connectors and fittings. You may simply describe the devices in the space provided ("Two jam-nut 15 pin D38999 Series III Connectors go on Side "A") or you may sketch the fittings and connectors in place with appropriate labels. There are no limits to the size and number of penetrations other than the physical boundaries of the box surfaces. Use the dimensional information published with each connector or feed-through series, or call our factory for assistance.

NOTE: Box Series Numbers are for reference only. Call the factory for part number assignment for custom box configurations.

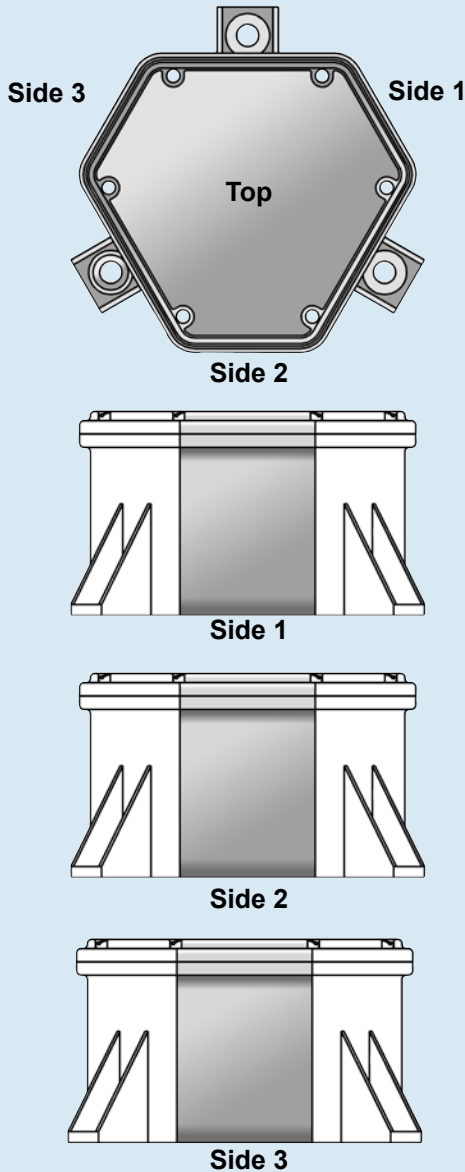
Rectangular Box Top Template



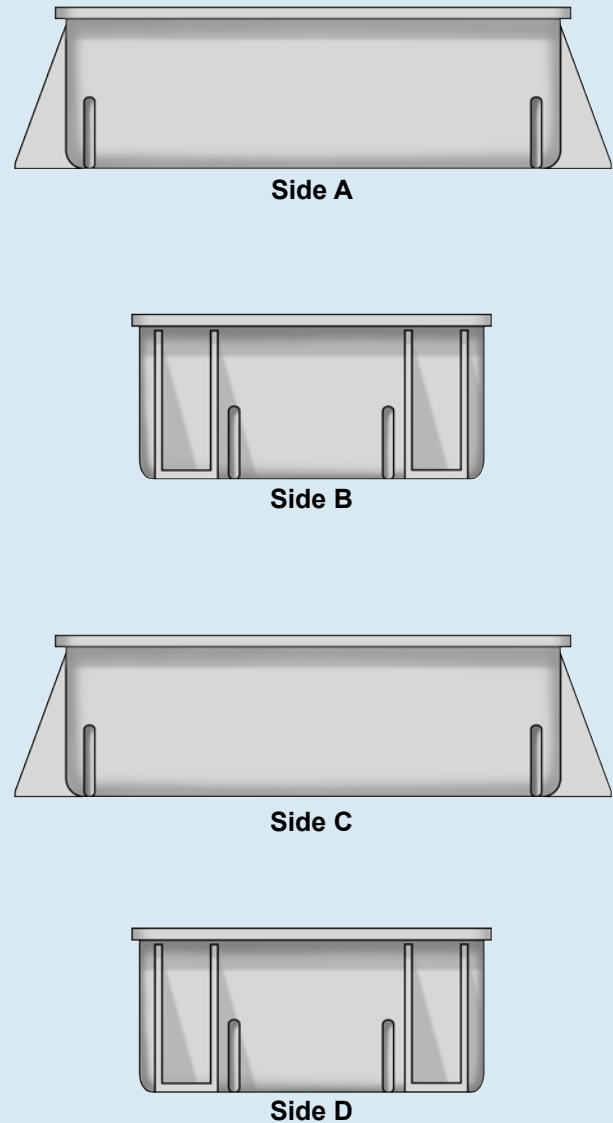
Input-Output Device Position Template

This template may be used to indicate initial positioning of connectors, feed-throughs and fittings such as ground lugs. Indicate the location of all special markings or labels including correct wording/numbering.

Three-Legged Junction Boxes



Rectangular Junction Boxes



The structural ribs located on the rectangular box sides are provided to increase the overall strength of the box. The ribs may be removed to accommodate additional fittings if necessary. For additional assistance in locating connectors and fittings please consult the factory. For custom fittings, such as specially designed doors or lid covers, please consult the factory. Application engineering for customer specified box assemblies is provided free upon request.