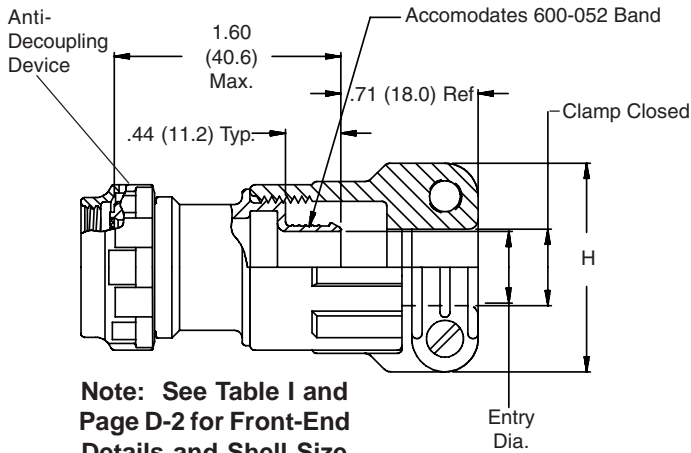
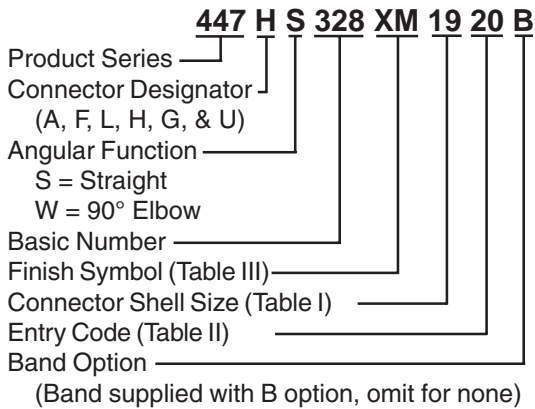
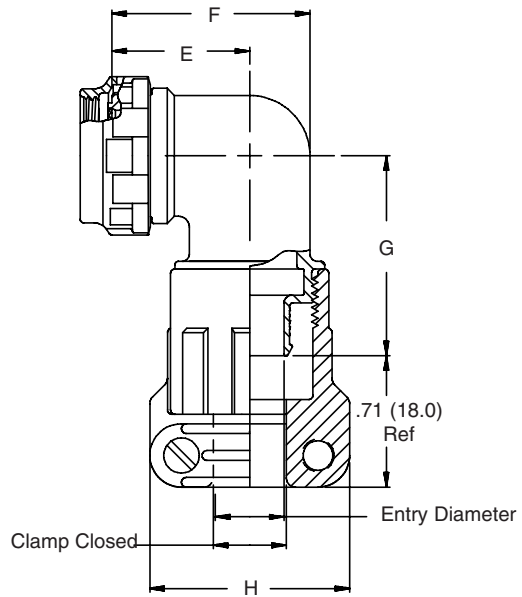




# 447-328 Self-Locking Rotatable Coupling Straight & 90° RFI/EMI Band-in-a-Can Backshell with Strain-Relief Clamp



**Note: See Table I and Page D-2 for Front-End Details and Shell Size References**



**TABLE II: CABLE ENTRY**

Entry Code	H		Entry Dia.*		Clamp Closed	
	±.06	(1.5)	±.03	(0.8)	±.03	(0.8)
10	.94	(23.9)	.22	(5.6)	.26	(6.6)
12	1.17	(29.7)	.28	(7.1)	.34	(8.6)
14	1.28	(32.5)	.34	(8.6)	.46	(11.7)
16	1.41	(35.8)	.46	(11.7)	.55	(14.0)
18	1.50	(38.1)	.55	(14.0)	.62	(15.7)
20	1.56	(39.6)	.62	(15.7)	.70	(17.8)
22	1.69	(42.9)	.70	(17.8)	.78	(19.8)
24	1.81	(46.0)	.78	(19.8)	.85	(21.6)
28	1.91	(48.5)	.85	(21.6)	.95	(24.1)
32	2.02	(51.3)	.95	(24.1)	1.02	(25.9)

\* Entry diameter equals maximum wire bundle diameter.

**TABLE I: CONNECTOR SHELL SIZE ORDER NUMBER**

Shell Size For Connector Designator*		E		F		G		Max Entry Dash No.**
A	F/L H G U	±.06	(1.5)	±.09	(2.3)	±.09	(2.3)	
08	08 09 - -	.69	(17.5)	.88	(22.4)	1.19	(30.2)	10
10	10 11 - 08	.75	(19.1)	1.00	(25.4)	1.25	(31.8)	12
12	12 13 11 10	.81	(20.6)	1.13	(28.7)	1.31	(33.3)	14
14	14 15 13 12	.88	(22.4)	1.31	(33.3)	1.38	(35.1)	16
16	16 17 15 14	.94	(23.9)	1.38	(35.1)	1.44	(36.6)	20
18	18 19 17 16	.97	(24.6)	1.44	(36.6)	1.47	(37.3)	20
20	20 21 19 18	1.06	(26.9)	1.63	(41.4)	1.56	(39.6)	22
22	22 23 - 20	1.13	(28.7)	1.75	(44.5)	1.63	(41.4)	24
24	24 25 23 22	1.19	(30.2)	1.88	(47.8)	1.69	(42.9)	32
28	- - 25 24	1.34	(34.0)	2.13	(54.1)	1.78	(45.2)	32

\*\*Consult factory for additional entry sizes available.

**TABLE III: FINISH**

XM*	Electroless Nickel
XW*	Cadmium Olive Drab Over Electroless Nickel

\* Note: Coupling nut & saddle bars supplied unplated.

Metric dimensions (mm) are in parentheses and are for reference only.