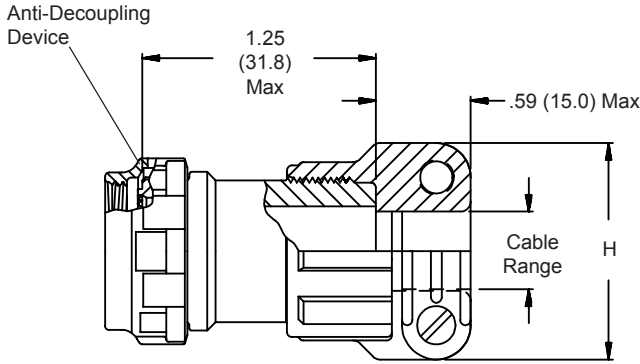
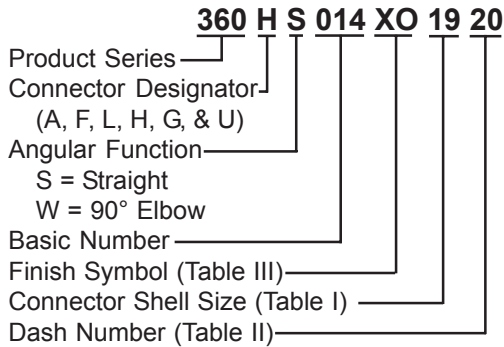
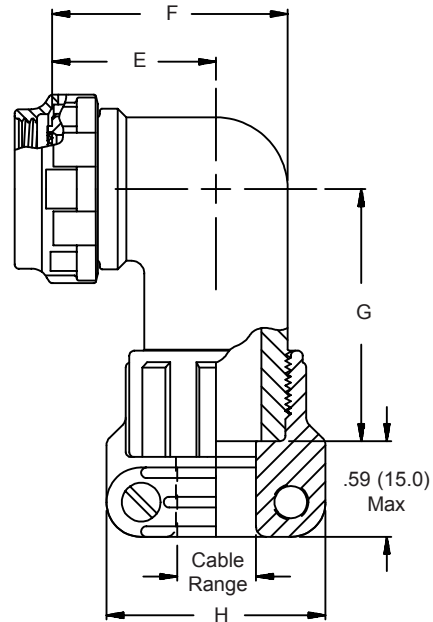




# 360-014 Self-Locking Rotatable Coupling Straight & 90° Non-Environmental Backshell with Strain Relief



**Note: See Table I and Page D-2 For Front-End Details and Shell Size References**



**TABLE II: CABLE ENTRY**

Dash No.	H		Cable Range			
	±.06	(1.5)	Minimum	Maximum		
10	.94	(23.9)	.16	(4.0)	.25	(6.4)
12	1.17	(29.7)	.29	(5.1)	.38	(9.7)
14	1.28	(32.5)	.40	(10.1)	.44	(11.2)
16	1.41	(35.8)	.52	(12.7)	.63	(15.9)
18	1.50	(38.1)	.58	(14.7)	.69	(17.5)
20	1.56	(39.6)	.64	(16.3)	.75	(19.1)
22	1.69	(42.9)	.72	(18.3)	.88	(22.2)
24	1.81	(46.0)	.79	(20.0)	1.00	(25.4)
28	1.91	(48.5)	.89	(20.3)	1.13	(28.6)
32	2.02	(51.3)	.96	(24.4)	1.25	(31.8)

**TABLE I: CONNECTOR SHELL SIZE ORDER NUMBER**

Shell Size For		Connector Designator*		E		F		G		Max Entry	
A	F/L	H	G	U	±.06	(1.5)	±.09	(2.3)	±.09	(2.3)	Dash No.**
08	08	09	-	-	.69	(17.5)	.88	(22.4)	1.19	(30.2)	10
10	10	11	-	08	.75	(19.1)	1.00	(25.4)	1.25	(31.8)	12
12	12	13	11	10	.81	(20.6)	1.13	(28.7)	1.31	(33.3)	14
14	14	15	13	12	.88	(22.4)	1.31	(33.3)	1.38	(35.1)	16
16	16	17	15	14	.94	(23.9)	1.38	(35.1)	1.44	(36.6)	20
18	18	19	17	16	.97	(24.6)	1.44	(36.6)	1.47	(37.3)	20
20	20	21	19	18	1.06	(26.9)	1.63	(41.4)	1.56	(39.6)	22
22	22	23	-	20	1.13	(28.7)	1.75	(44.5)	1.63	(41.4)	24
24	24	25	23	22	1.19	(30.2)	1.88	(47.8)	1.69	(42.9)	28
28	-	-	25	24	1.34	(34.0)	2.13	(54.1)	1.78	(45.2)	32

\*\*Consult factory for additional entry sizes available.

**TABLE III: FINISH**

XM*	Electroless Nickel
XW*	Cadmium Olive Drab Over Electroless Nickel
XB	No Plating - Black Material
XO	No Plating - Base Material Non-conductive

\* Note: Coupling nut supplied unplated.

Metric dimensions (mm) are in parentheses and are for reference only.