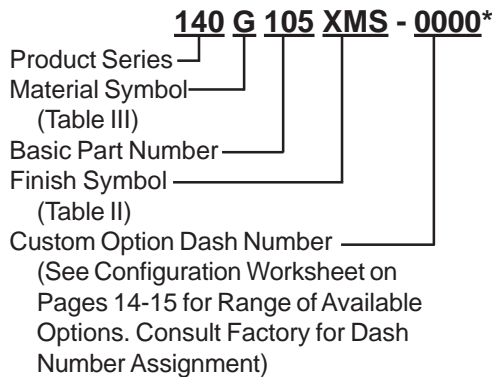


**Medium Low-Profile
Series 140-105
CostSaver Composite
Junction Box**



PRODUCT FACTS

- PEI 30% Glass Filled Composite Thermoplastic
- Stainless Steel Cover Mounting Screws
- External Mounting Feet Reinforced with Stainless Steel Bushing
- Optional Internal Sectional Dividers
- IP67 Rated Sealing
- MIL-C901D, RTCA/DO-160C and MIL-STD-167SHIPS Shock and Vibration
- UL94 Flammability
- BR8470 Grade C Shock
- ASTM E595/NASA SP-R-0022A Outgassing and Zero Halogen (XO Finish Only)

TABLE I: FINISHES

Sym	Finish Description
XO	No Plating
XMS	Internal Surfaces - Electroless Nickel External Surfaces - Unplated Medium Grey Color
XM	All Surfaces - Electroless Nickel
XW	All Surfaces - Cadmium Olive Drab over Electroless Nickel
XZN	All Surfaces - Zinc Nickel/Black

TABLE II: MATERIAL COLOR & FINISH OPTIONS

Sym	Material & Color	Finish Options
B	Thermoplastic / Black	XO & XMS
G	Thermoplastic / Grey	XO & XMS
-	Thermoplastic / NA	XM, XW & XZN

* Use Dash Number 0000 for Basic Box with No Additional Options Beyond Your Specified Finish. 0000 Basic Box Includes #6-32 UNC Fasteners.

TABLE I: KEY DIMENSIONS

Box Series Number	External Dimensions	Internal Dimensions (with Aluminum Mounting Plate Installed, if applicable)
Medium Low-Profile 140-105	6.930 (176) x 5.850 (149) x 2.440 (62.0)	4.920 (125) x 6.020 (153) x 1.900 (48)

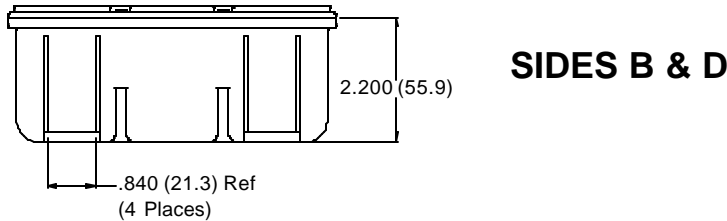
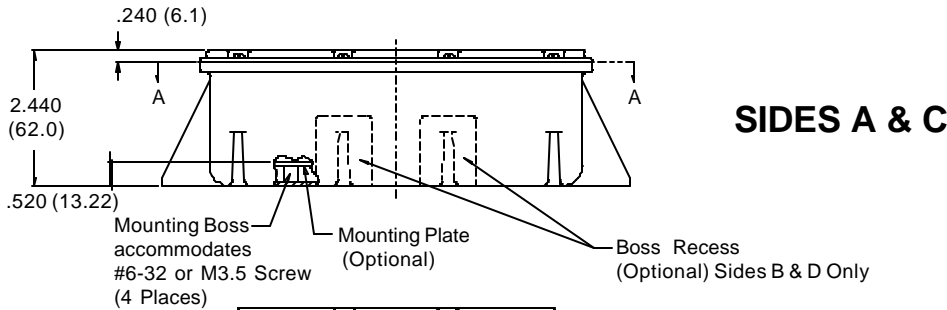
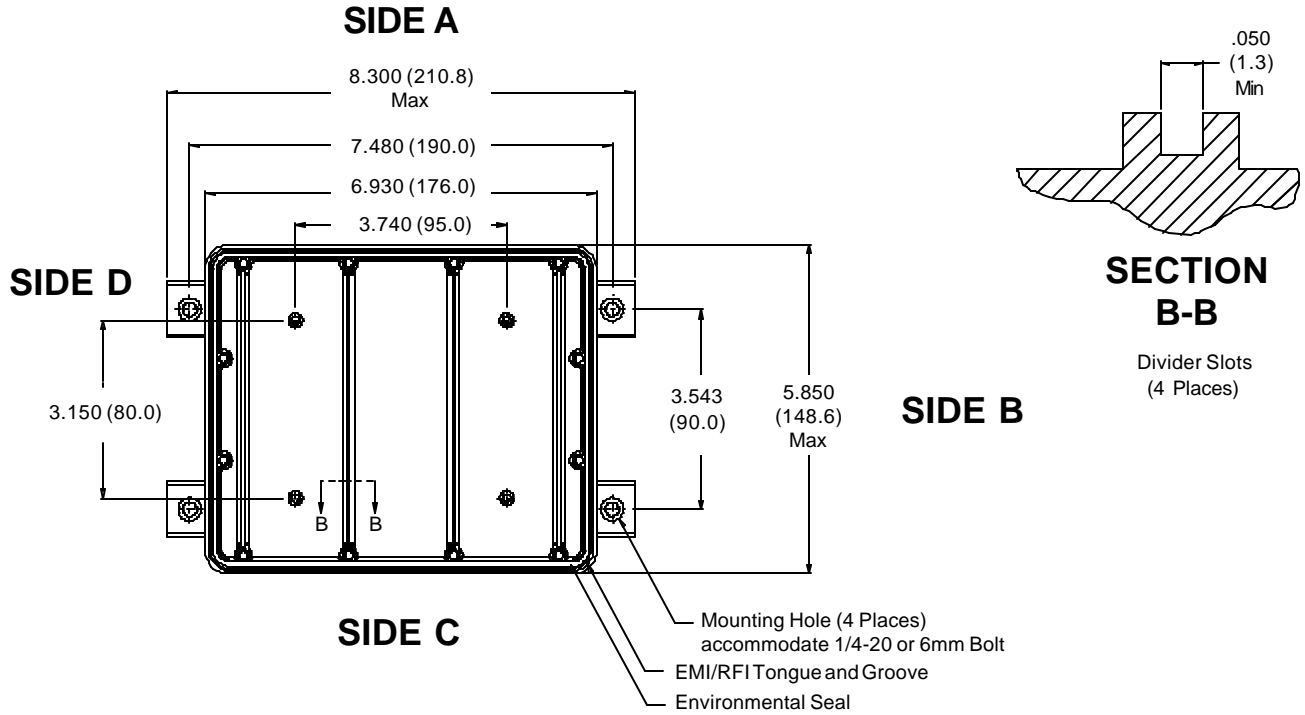
Metric Dimensions (mm) are in parentheses and are for reference only

Box Series Numbers are for reference only. Please complete the worksheet on C-14 and call the factory for part number assignment for your specific box configuration.

Series 140-105
Medium Low-Profile Junction Box
Product Facts and Dimensional Details



Composite
Junction
Boxes



Metric Dimensions (mm) are in parentheses and are for reference only

Box Series Numbers are for reference only. Please complete the worksheet on C-14 and call the factory for part number assignment for your specific box configuration.