

181-001
MIL-T-29504/5 Qualified
Size 16 Fiber Optic Socket Terminus
 for use with MIL-DTL-38999 Type Connectors

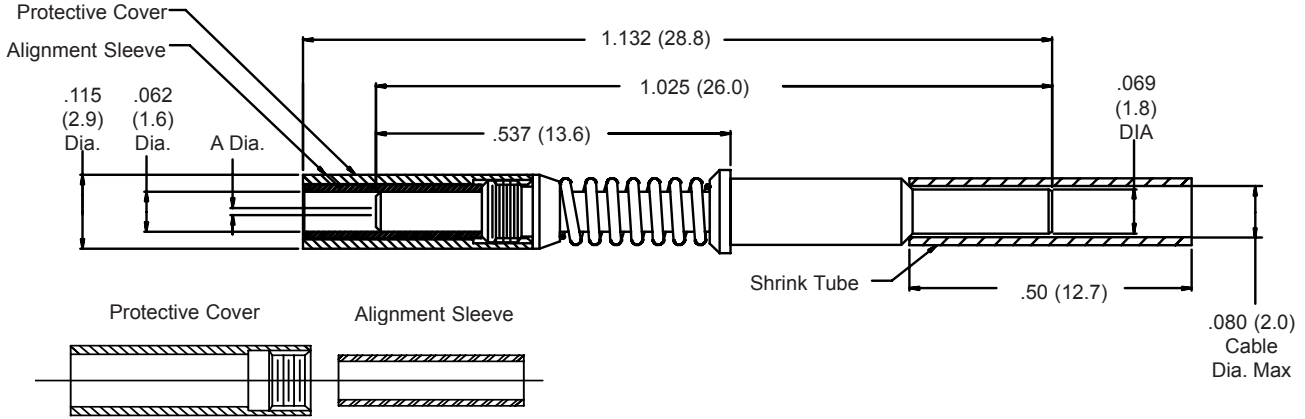


TABLE I: FIBER SIZE CORE/CLADDING			
Assembly Dash No.	Fiber Size Core/Cladding	A Diameter Microns	(M29504/5-XXXX)
181-001-125	9/125 (Single Mode)	125.5	
181-001-126S	9/125 (Single Mode)	126	
181-001-126	50/125 & 62.5/125	126	
181-001-127	50/125 & 62.5/125	127	M29504/5-4046
181-001-142	100/140	142	M29504/5-4049
181-001-144	100/140	144	M29504/5-4050
181-001-156	62.5/125/155 (Polymide)	156	
181-001-157	62.5/125/155 (Polymide)	157	
181-001-173	100/140/172 (Polymide)	173	M29504/5-4088
181-001-175	100/140/172 (Polymide)	175	
181-001-231	200/230	231	
181-001-236	200/233	236	
181-001-286	200/280	286	
181-001-448	400/440	448	

NOTE: Stainless Steel Alignment Sleeve available by adding "K" to Part Number

NOTES:

1. Metric dimensions (mm) are in parentheses and are for reference only.
2. Material/Finish:
 Ferrule and Alignment Sleeve: Zirconia Ceramic/ N.A., or Stainless steel/Passivate.
 Terminus Assembly: Stainless Steel/Passivate.
 Spacer, Spring and Cover: Stainless Steel/Passivate
 Shrink Tube: Kynar/N.A.

TABLE II: ACCESSORIES/TOOLS	
Part Number	Accessories/Tools
181-001-S	Ceramic Alignment Sleeve
181-001-K	Stainless Steel Alignment Sleeve
181-001-C	Protective Cover
182-001S	Terminus Polishing Tool
M81969/14-03	Insertion/Removal Tool