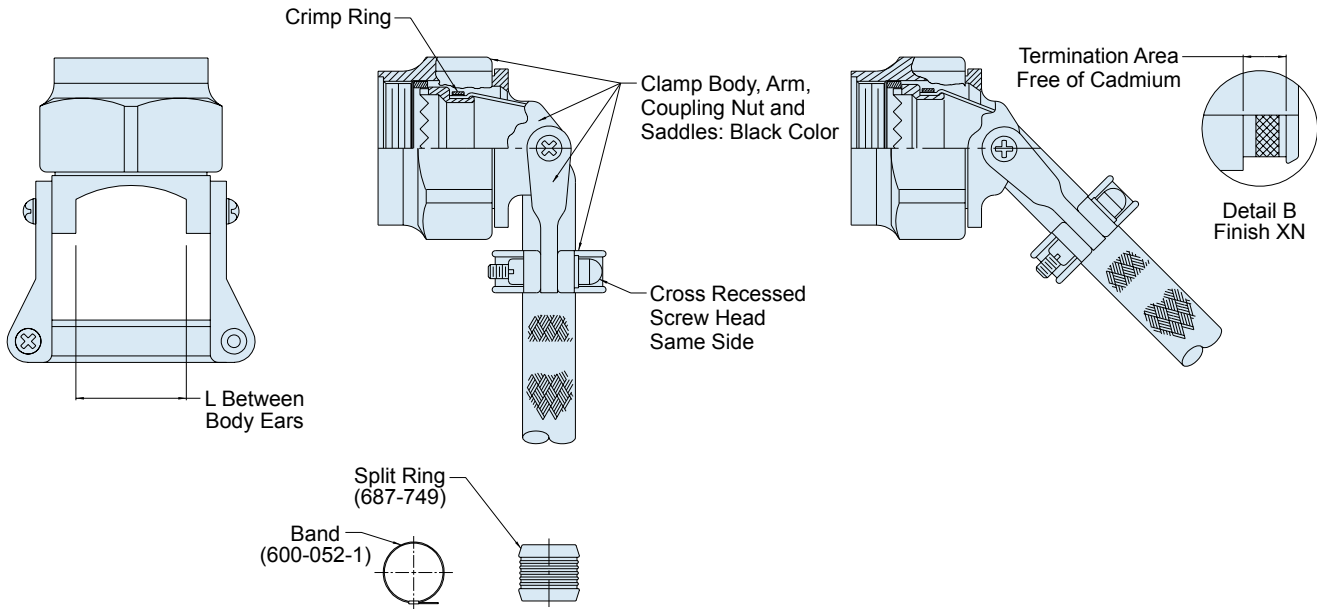
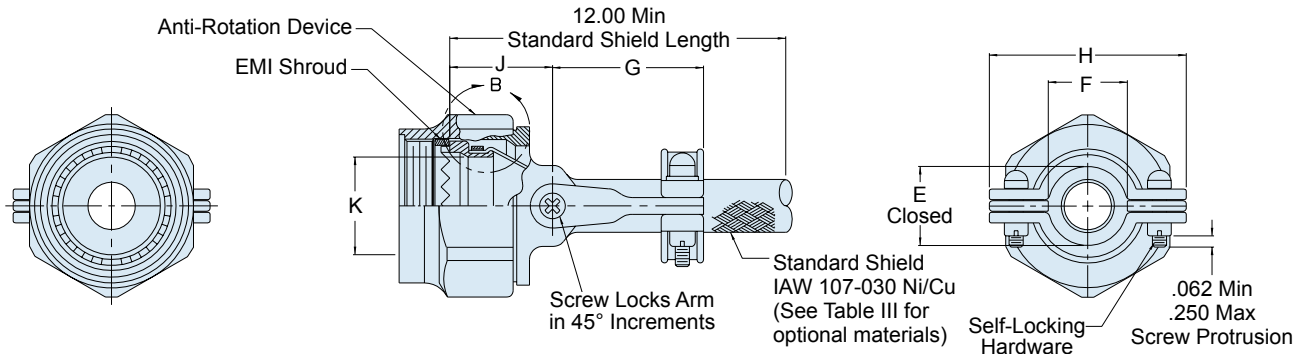
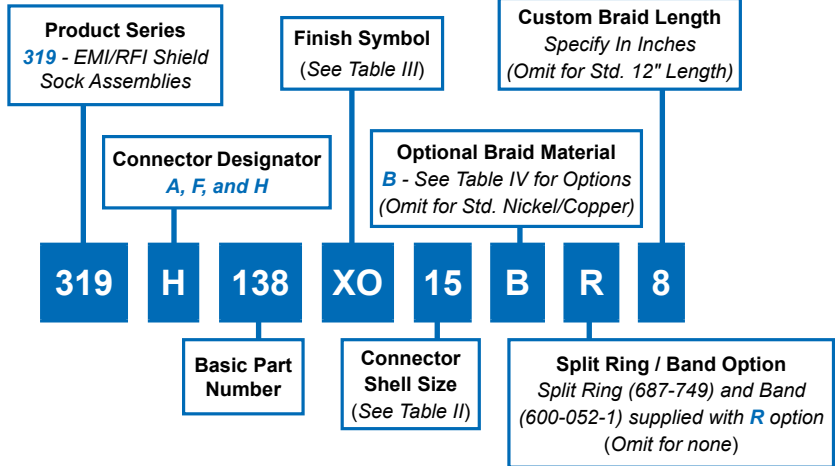




# 319-138 "Wide Mouth" Composite Swing-Arm Strain Relief with Shield Sock and Self-Locking Rotatable Coupling

A

CONNECTOR DESIGNATOR:	
<b>A</b>	MIL-DTL-5015, -26482 Series II, and -83723 Series I and III
<b>F</b>	MIL-DTL-38999 Series I, II (see note 3)
<b>H</b>	MIL-DTL-38999 Series III and IV
<b>SELF-LOCKING</b>	
<b>ROTATABLE COUPLING</b>	
<b>LOW PROFILE</b>	



**319-138**  
**"Wide Mouth" Composite Swing-Arm Strain Relief**  
 with Shield Sock and  
 Self-Locking Rotatable Coupling



**TABLE II: SHELL SIZE**

Shell Size		E ± .031	F Min	G Max ± .06	H ± .060	J Max	L Max	K Diameter		
								A Code	F Code	H Code
A, F	H									
08	09	.350 (8.9)	.350 (8.9)	1.045 (26.5)	.936 (23.8)	.94 (23.9)	.393 (10.0)	.265 (6.7)	.275 (7.0)	.264 (6.7)
10	11	.436 (11.1)	.455 (11.6)	1.045 (26.5)	1.172 (29.8)	.97 (24.6)	.455 (11.6)	.370 (9.4)	.412 (10.5)	.390 (9.9)
12	13	.636 (16.2)	.640 (16.3)	1.170 (29.7)	1.406 (35.7)	1.03 (26.2)	.598 (15.2)	.506 (12.9)	.526 (13.4)	.504 (12.8)
14	15	.706 (17.9)	.710 (18.0)	1.170 (29.7)	1.500 (38.1)	1.09 (27.7)	.710 (18.0)	.580 (14.7)	.651 (16.5)	.630 (16.0)
16	17	.790 (20.1)	.835 (21.2)	1.295 (32.9)	1.562 (39.7)	1.12 (28.4)	.839 (21.3)	.705 (17.9)	.776 (19.7)	.756 (19.2)
18	19	.872 (22.1)	.922 (23.4)	1.295 (32.9)	1.687 (42.8)	1.15 (29.2)	.934 (23.7)	.784 (19.9)	.872 (22.1)	.843 (21.4)
20	21	.996 (25.3)	1.008 (25.6)	1.467 (39.5)	1.969 (50.0)	1.18 (30.0)	1.068 (27.1)	.909 (23.1)	1.007 (25.6)	.969 (24.6)
22	23	1.060 (26.9)	1.197 (30.4)	1.467 (39.5)	2.094 (53.2)	1.25 (31.8)	1.197 (30.4)	1.034 (1.034)	1.132 (28.8)	1.091 (27.7)
24	25	1.123 (28.5)	1.323 (33.6)	1.461 (37.1)	2.281 (57.9)	1.28 (32.5)	1.323 (33.6)	1.149 (29.2)	1.257 (31.9)	1.217 (30.9)

**TABLE III: FINISH**

Symbol	Finish
<b>XB</b>	Composite Material—No Plating, Color Black, Brass Interface Shroud and Adapter—Nickel Plated
<b>XMT</b>	2000 Hour Corrosion Resistant Ni-PTFE, Nickel-Fluorocarbon Polymer. <i>1000 Hour Grey™</i>
<b>XN</b>	Composite Material—No Plating, Color Black and Brown, Brass Interface Shroud and Adapter—Selectively Cadmium Plated (See Detail B)

**TABLE IV: BRAID TYPE**

Symbol	Braid Type
A	100% AmberStrand®
B	75%/25% AmberStrand® Blend
L	100% ArmorLite™
<i>Standard</i>	Nickel/Copper 34awg
T	Tin/Copper 34awg

**NOTES**

1. See Table I in Intro for front-end dimensional details.
2. See composite thermoplastic shield sock assembly procedure for detailed installation instructions.
3. Add mod code -475 to end of part number for use with Series II connectors. Backshell to be supplied less shroud.
4. Coupling nut supplied unplated.