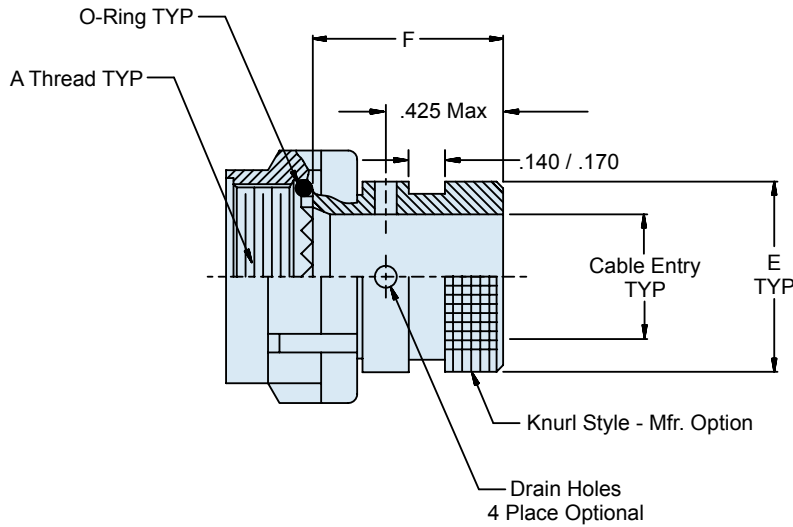
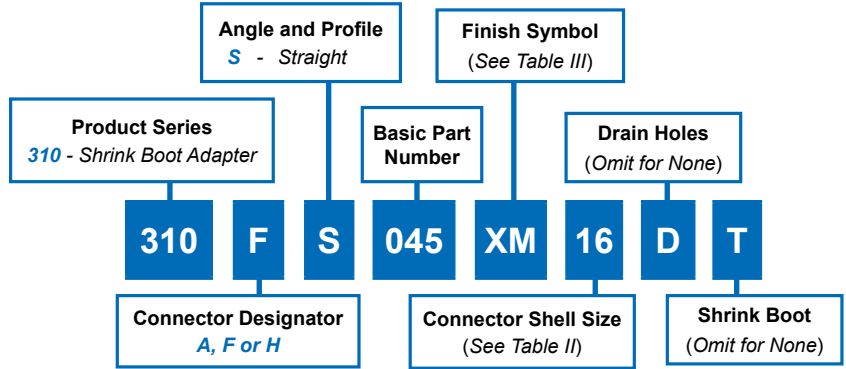


# 310-045 Composite Shrink Boot Adapter with Self-Locking Rotatable Coupling Nut

**A**

CONNECTOR DESIGNATOR:	
<b>A</b>	MIL-DTL-5015, -26482 Series II, and -83723 Series I and III
<b>F</b>	MIL-DTL-38999 Series I, II
<b>H</b>	MIL-DTL-38999 Series III and IV
<b>SELF-LOCKING</b>	
<b>ROTATABLE COUPLING</b>	
<b>STANDARD PROFILE</b>	



**310-045**  
**Composite Shrink Boot Adapter**  
**with Self-Locking Rotatable Coupling Nut**



**TABLE II: SHELL SIZE**

Shell Size		E Max	F Max	Cable Entry Min.
A, F	H			
08	09	.533 (13.5)	.940 (23.9)	.250 (6.4)
10	11	.605 (15.4)	.940 (23.9)	.355 (9.0)
12	13	.774 (19.7)	.940 (23.9)	.491 (12.5)
14	15	.838 (21.3)	.940 (23.9)	.565 (14.4)
16	17	.963 (24.5)	.940 (23.9)	.690 (17.5)
18	19	1.042 (26.5)	.940 (23.9)	.769 (19.5)
20	21	1.217 (30.9)	.940 (23.9)	.894 (22.7)
22	23	1.355 (34.4)	.940 (23.9)	1.019 (25.9)
24	25	1.443 (36.7)	.940 (23.9)	1.134 (28.8)

**TABLE III: FINISH**

Symbol	Finish Description
<b>XB</b>	No Plating - Black Color (Non-Conductive Finish)
<b>XM</b>	2000 Hour Corrosion Resistant Electroless Nickel
<b>XMT</b>	2000 Hour Corrosion Resistant Ni-PTFE, Nickel-Fluorocarbon Polymer. <i>1000 Hour Grey™</i>
<b>XW</b>	2000 Hour Corrosion Resistant Cadmium/Olive Drab over Electroless Nickel
<b>XD</b>	No Plating, Desert Tan

**NOTES**

1. See Table I in Intro for front-end dimensional details.
2. **(Straight)** 770-001S\*\*-0 shrink boot supplied with "T" option.  
For angled boot, contact Glenair engineering.  
See shrink boot product page for more details.
3. O-ring supplied with H and F codes only.
4. Coupling nut supplied unplated.