

**Mini
Series 140-100
CostSaver Composite
Junction Box**

TABLE II: MATERIAL COLOR & FINISH OPTIONS

Sym	Material & Color	Finish Options
B	Thermoplastic / Black	XO and XMS
G	Thermoplastic / Grey	XO and XMS
-	Thermoplastic / NA	XM, XW and XZN

TABLE I: FINISHES

Symbol	Finish Description
XO	No Plating (Non-Conductive Finish)
XMS	Internal Surfaces - Electroless Nickel External Surfaces - See Table II
XM	All Surfaces – Electroless Nickel
XW	All Surfaces – Cadmium Olive Drab over Electroless Nickel
XZN	All Surfaces – Zinc Nickel/Black
XMT	2000 Hour Corrosion Resistant Ni-PTFE, Nickel-Fluorocarbon Polymer. 1000 Hour Grey™

TABLE III: KEY DIMENSIONS

Box Series Number	External	Internal
140-100 Mini	2.55 (64.8) x 3.85 (97.8) x 1.38 (35.1)	2.08 (52.8) x 3.38 (85.9) x 1.06 (26.9)

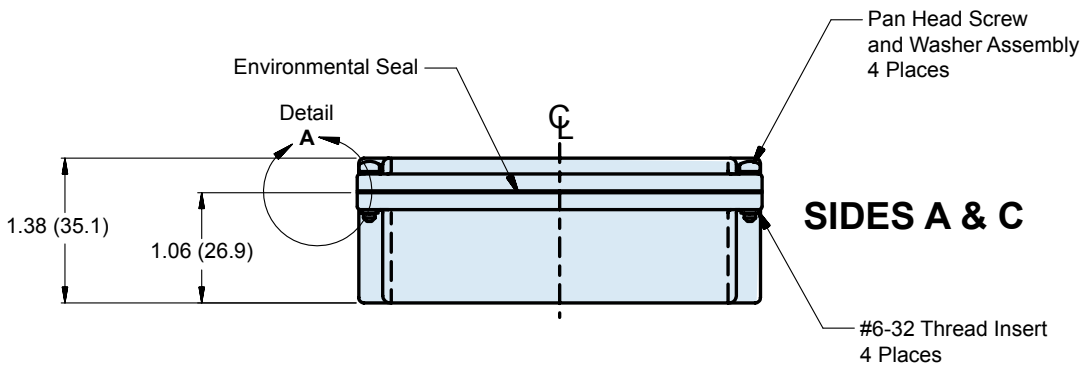
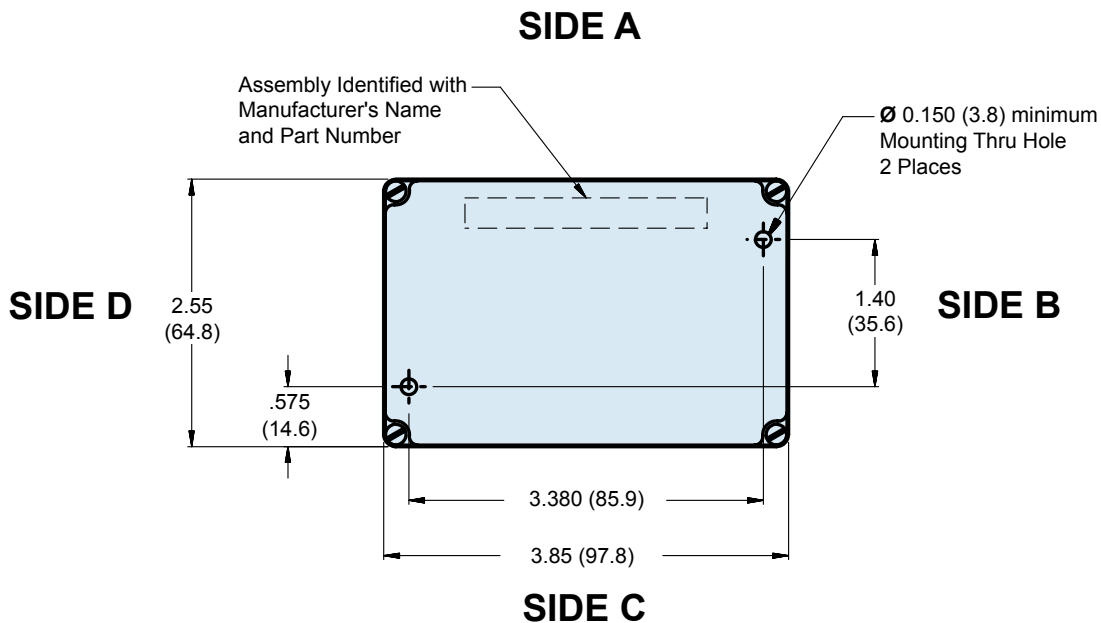
NOTES

1. Use Dash Number 0000 for Basic Box with No Additional Options Beyond Your Specified Finish. 0000 Basic Box Includes #6-32 UNC Fasteners.
2. Box Series Numbers are for reference only. Please complete the worksheet on E-14 and call the factory for part number assignment for your specific box configuration.
3. Metric dimensions (mm) are in parenthesis and for reference only

Series 140-100
Mini Junction Box



Composite
Junction
Boxes



SIDES B & D

E