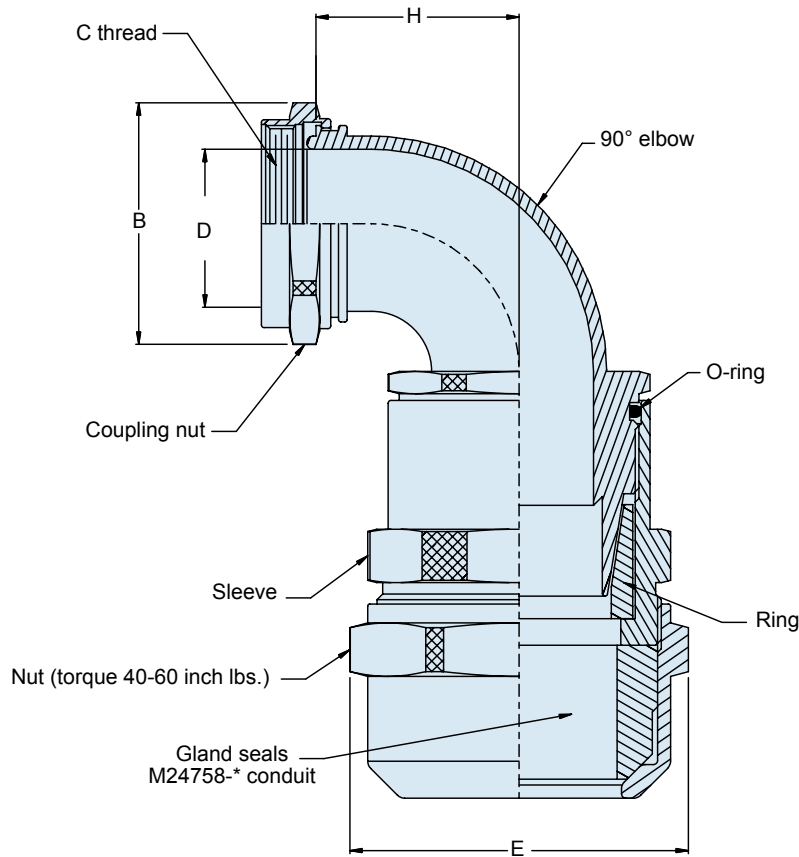


A

**Basic
Number**
**Conduit
Size Code**
(Table I)
M24758-4
C

APPLICATION NOTES

1. Assembly identified with manufacturer's code identification number (Glenair, part number and classification code 490).
2. The function of the M24758-4 fitting is to terminate M24758-* flexible shielding conduit and to provide a standard thread for attaching onto M24758-9 through M24758-25 fittings.
3. Material / Finish:
Adapter, nuts, sleeve & ring - 316 / electroless nickel, matte finish.
O-ring and gland - silicone rubber / NA.
4. Metric dimensions (mm) are indicated in parentheses.

TABLE I					
CONDUIT SIZE CODE	C CLASS - 2B THREAD	B DIA MAX	D DIA MIN	E DIA MAX	H DIM ± .06 (1.52)
A	.438-28 UNEF	.88 (22.35)	.245 (6.22)	1.14 (28.96)	.81 (20.57)
B	.688-24 UNEF	1.13 (28.70)	.495 (12.57)	1.46 (37.08)	1.12 (28.45)
C	.938-20 UNEF	1.38 (35.05)	.745 (18.92)	1.78 (45.21)	1.47 (37.34)
D	1.250-18 UNEF	1.69 (42.93)	.995 (25.27)	2.03 (51.56)	1.81 (45.97)
E	1.563-18 UNEF	2.00 (50.80)	1.245 (31.62)	2.28 (57.91)	2.12 (53.85)
F	1.875-16 UN	2.31 (58.67)	1.495 (37.97)	2.53 (64.26)	2.50 (63.50)
G	2.375-16 UN	2.94 (74.68)	1.995 (50.67)	3.14 (79.76)	3.12 (79.25)
H	2.875-16 UN	3.44 (87.38)	2.495 (63.37)	3.65 (92.71)	3.25 (82.55)
J	.563-24 UNEF	.94 (23.88)	.370 (9.40)	1.34 (34.04)	.93 (23.62)
K	.813-20 UNEF	1.19 (30.23)	.620 (15.75)	1.65 (41.91)	1.25 (31.75)
L	3.375-16 UN	3.94 (100.08)	2.995 (76.07)	4.15 (105.41)	4.50 (114.30)

TABLE II RECOMMENDED TORQUE			
CONDUIT SIZE CODE	± 5 Inch lbs.		
	C THREAD	SLEEVE	Nut
A	50	120	40-60
B	75	140	40-60
C	100	150	40-60
D	120	170	40-60
E	140	170	40-60
F	150	170	40-60
G	170	170	40-60
H	170	170	40-60
J	50	120	40-60
K	75	140	40-60
L	170	170	40-60