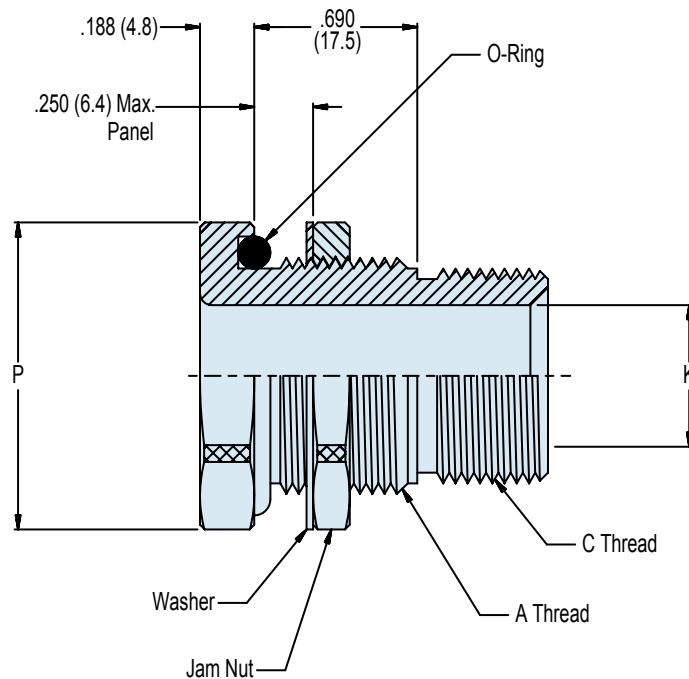


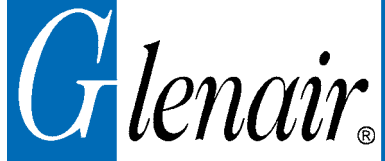
A

**Basic
Number**
M24758-25
**Conduit
Size Code
(Table I)**
C


APPLICATION NOTES

1. Assembly identified with manufacturer's code identification number (Glenair, part number and classification code 490).
2. The function of the M24758-25 provides the capability of terminating a M24758-2, M24758-3 or M24758-4 series fittings to a panel.
3. Material / Finish:
 Adapter, jam nut, washer - 316 SST / electroless nickel, matte finish.
 O-Ring - silicone rubber / N.A.
4. Metric dimensions (mm) are indicated in parentheses.

MIL-PRF-24758-25
Adapter for Panel Termination



MIL-PRF
24758A

A

TABLE I				
CONDUIT SIZE CODE	A CLASS - 2A THREAD	P DIA	C CLASS - 2A THREAD	K DIA MIN
A	.625-24 UNEF	1.000 (25.40)	.438-28 UNEF	.245 (6.22)
B	.875-20 UNEF	1.250 (31.75)	.688-24 UNEF	.495 (12.57)
C	1.188-18 UNEF	1.562 (39.67)	.938-20 UNEF	.745 (18.92)
D	1.438-18 UNEF	1.812 (46.02)	1.250-18 UNEF	.995 (25.27)
E	1.750-16 UN	2.125 (53.98)	1.563-18 UNEF	1.245 (31.62)
F	2.000-16 UN	2.375 (60.33)	1.875-16 UN	1.495 (37.97)
G	2.500-16 UN	2.875 (73.03)	2.375-16 UN	1.995 (50.67)
H	3.000-16 UN	3.375 (85.73)	2.875-16 UN	2.495 (63.37)
J	.750-20 UNEF	1.125 (28.58)	.563-24 UNEF	.370 (9.40)
K	1.000-20 UNEF	1.500 (38.10)	.813-20 UNEF	.620 (15.75)
L	3.500-16 UN	4.375 (111.13)	3.375-16 UN	2.995 (76.07)

NOTE: Panel Cut-Out is +.016 (0.41) -.000 over A Thread Size.