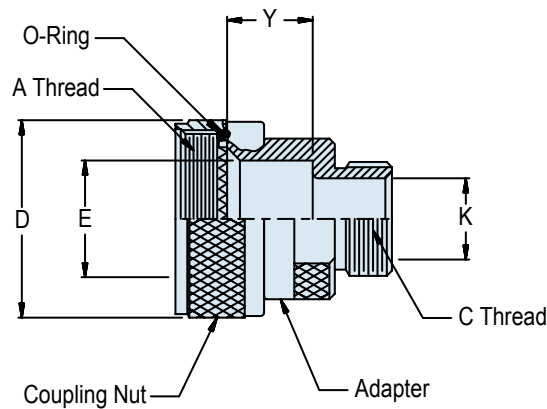
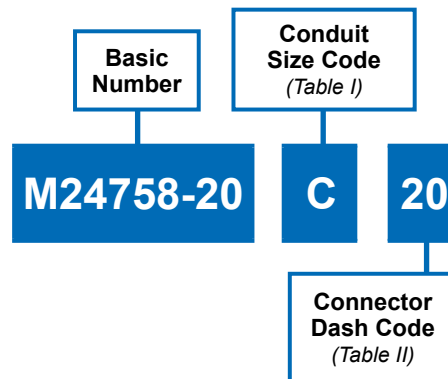


A



APPLICATION NOTES

1. Assembly identified with manufacturer's code identification number (Glenair, part number and classification code 490).
2. The M24758-20 adapter couples connectors listed in table II to M24758-2, M24758-3 or M24758-4 series fittings.
3. The coupling nut end of this adapter shall conform to AS85049.
4. The E diameter and M thread of this drawing are the same as AS85049 and are included for reference purposes.
5. See Glenair Circular Connector Accessories catalog for recommended torque values.
6. Material / Finish:
Adapter, coupling nut, 316 / electroless nickel, matte finish,
O-ring - silicone rubber N/A.
7. Metric dimensions (mm) are indicated in parentheses.

TABLE I

CONDUIT SIZE CODE	C CLASS - 2A THREAD	K DIA MIN
A	.438-28 UNEF	.245 (6.22)
B	.688-24 UNEF	.495 (12.57)
C	.938-20 UNEF	.745 (18.92)
D	1.250-18 UNEF	.995 (25.27)
E	1.563-18 UNEF	1.245 (31.62)
F	1.875-16 UN	1.495 (37.97)
G	2.375-16 UN	1.995 (50.67)
H	2.875-16 UN	2.495 (63.37)
J	.563-24 UNEF	.370 (9.40)
K	.813-20 UNEF	.620 (15.75)
L	3.375-16 UN	2.995 (76.07)

**MIL-PRF-24758-20
Adapter for MIL-DTL-38999 Connectors**



MIL-PRF
24758A

A

TABLE II: CONNECTOR DASH NUMBERS AND FITTING DIMENSIONS

CONN DASH NO.	MIL-DTL-38999 SERIES 1 & 2	MIL-DTL-38999 SERIES 3 & 4	A Class - 2B THREAD	D DIA MAX	E DIA REF	Y (Style 01) ± .03 (0.8)
08	08	--	.438-28 UNEF	.860 (21.84)	.269 (6.83)	.620 (15.7)
10	10	--	.562-24 UNEF	.980 (24.89)	.402 (10.21)	.620 (15.7)
12	12	--	.688-24 UNEF	1.160 (29.46)	.516 (13.11)	.620 (15.7)
14	14	--	.812-20 UNEF	1.280 (32.51)	.641 (16.28)	.620 (15.7)
16	16	--	.938-20 UNEF	1.410 (35.81)	.766 (19.46)	.750 (19.1)
18	18	--	1.062-18 UNEF	1.520 (38.61)	.863 (21.92)	.750 (19.1)
20	20	--	1.188-18 UNEF	1.640 (41.66)	.988 (25.10)	.750 (19.1)
22	22	--	1.312-18 UNEF	1.770 (44.96)	1.113 (28.70)	.810 (20.6)
24	24	--	1.438-18 UNEF	1.890 (48.01)	1.238 (31.45)	.810 (20.6)
09	--	A / 09	M12 X 1.0 - 6H	.860 (21.84)	.269 (6.83)	.620 (15.7)
11	--	B / 11	M15 X 1.0 - 6H	.980 (24.89)	.402 (10.21)	.620 (15.7)
13	--	C / 13	M18 X 1.0 - 6H	1.160 (29.46)	.516 (13.11)	.690 (17.5)
15	--	D / 15	M22 X 1.0 - 6H	1.280 (32.51)	.641 (16.28)	.690 (17.5)
17	--	E / 17	M25 X 1.0 - 6H	1.410 (35.81)	.766 (19.46)	.750 (19.1)
19	--	F / 19	M28 X 1.0 - 6H	1.520 (38.61)	.863 (21.92)	.750 (19.1)
21	--	G / 21	M31 X 1.0 - 6H	1.640 (41.66)	.988 (25.10)	.750 (19.1)
23	--	H / 23	M34 X 1.0 - 6H	1.770 (44.96)	1.113 (28.70)	.810 (20.6)
25	--	J / 25	M37 X 1.0 - 6H	1.890 (48.01)	1.238 (31.45)	.810 (20.6)