

MIL-DTL-28840 Polarization Keyways



MIL-DTL-28840

B

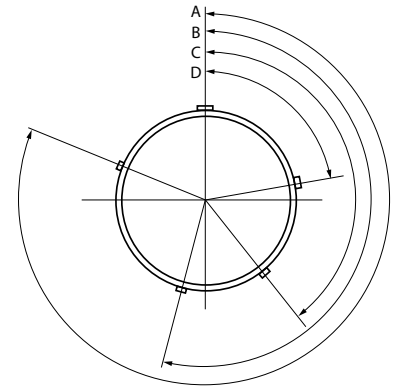
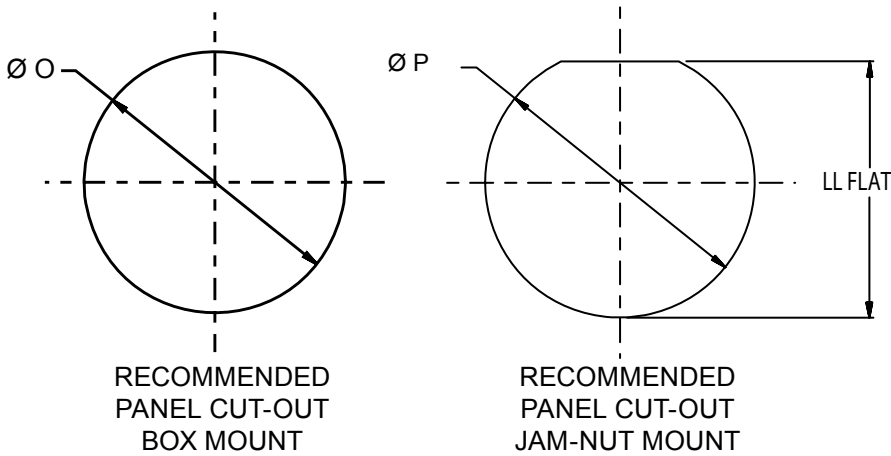


TABLE I: PANEL CUT-OUT

Designator	P Dia.	LL Flat	O Ref. Mtg. Hole
A (11)	.890 .880	.853 .843	.812
B (13)	1.015 1.005	.978 .968	.937
C (15)	1.203 1.193	1.165 1.155	1.124
D (17)	1.265 1.255	1.228 1.218	1.187
E (19)	1.453 1.443	1.415 1.405	1.374
F (23)	1.640 1.630	1.603 1.593	1.562
G (25)	1.765 1.755	1.728 1.718	1.687
H (29)	1.953 1.943	1.915 1.905	1.874
J (33)	2.140 2.130	1.103 2.093	2.062

TABLE II: ALTERNATE KEYWAYS

Designator	Key and Keyway Arrangement	AR° or AP° BSC	BR° or BP° BSC	CR° or CP° BSC	DR° or DP° BSC
A (11) B (13)	1	95	141	208	236
	2	113	156	182	292
	3	90	145	195	252
	4	53	156	220	255
	5	119	146	176	298
	6	51	141	184	242
C (15) D (17)	1	80	142	196	293
	2	135	170	200	310
	3	49	169	200	244
	4	66	140	200	257
	5	62	145	180	280
	6	79	153	197	272
E (19) F (23) G (25) H (29) J (33)	1	80	142	196	293
	2	135	170	200	310
	3	49	169	200	244
	4	66	140	200	257
	5	62	145	180	280
	6	79	153	197	272