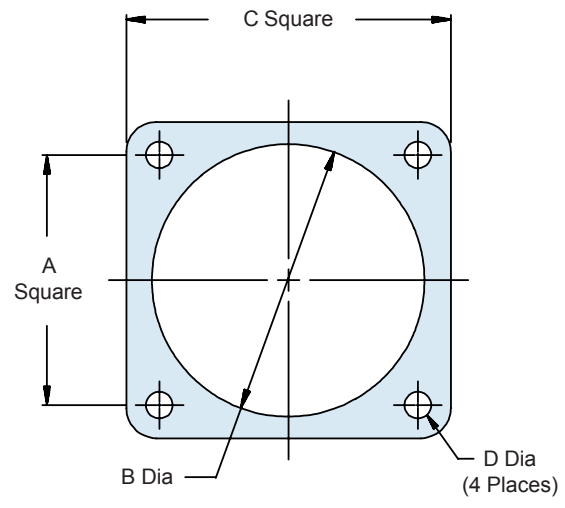
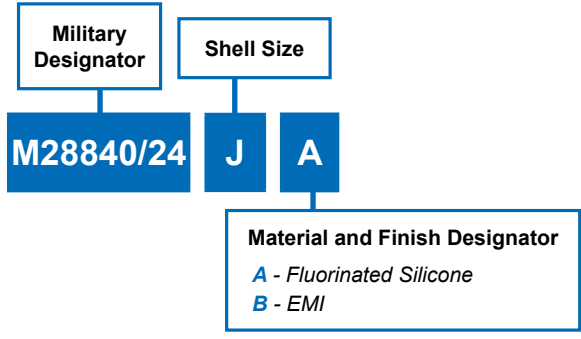


M28840/24 Mounting Gasket



MIL-DTL-
28840



B

Designator	A	B Dia.	C	D Dia.
A (11)	.760 (19.30) .740 (18.80)	.766 (19.46) .750 (19.05)	1.039 (26.39) 1.023 (25.98)	.130 (3.30) .110 (2.79)
B (13)	.853 (21.67) .833 (21.16)	.891 (22.63) .875 (22.22)	1.154 (29.31) 1.138 (28.90)	
C (15)	.978 (24.84) .958 (24.33)	1.078 (27.38) 1.062 (26.97)	1.274 (32.36) 1.258 (31.95)	
D (17)	1.025 (26.04) 1.005 (25.53)	1.141 (28.98) 1.125 (28.58)	1.399 (26.39) 1.383 (35.13)	
E (19)	1.150 (29.21) 1.130 (28.70)	1.338 (33.98) 1.312 (33.32)	1.524 (38.71) 1.508 (38.30)	
F (23)	1.291 (32.79) 1.271 (32.28)	1.516 (38.51) 1.500 (38.10)	1.734 (44.04) 1.718 (43.64)	
G (25)	1.402 (35.61) 1.382 (35.10)	1.641 (41.68) 1.625 (41.28)	1.834 (46.58) 1.818 (46.18)	.157 (3.99) .137 (3.48)
H (29)	1.578 (40.08) 1.558 (39.57)	1.891 (48.03) 1.875 (47.62)	2.154 (54.71) 2.138 (54.30)	
J (33)	1.744 (44.30) 1.724 (43.79)	2.078 (52.78) 2.062 (52.37)	2.344 (59.54) 2.328 (59.13)	