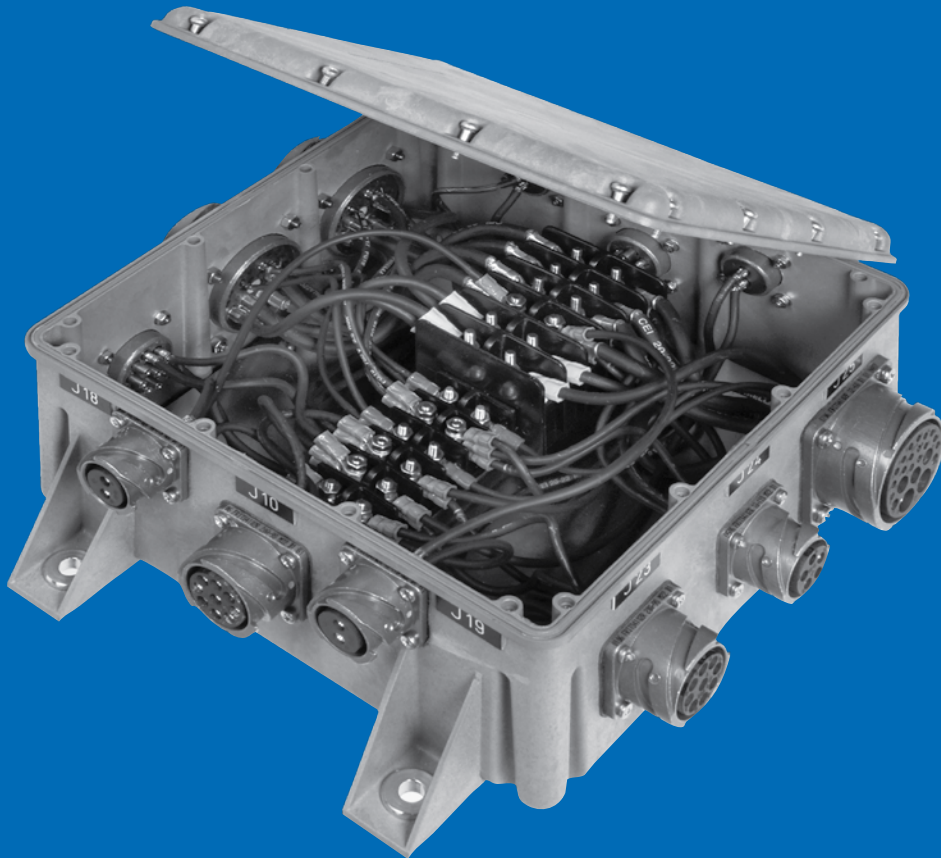


SERIES 14

COST SAVER

EMI/RFI Composite Junction Boxes

Lightweight ♦ Corrosion-Free ♦ Shielded ♦ Sealed



Glenair Series 14 CostSaver Composite EMI/RFI Junction Boxes can be specially designed and outfitted for any application requirement. We offer a dozen standard sizes that can be equipped with your selection of feedthrough fittings, connectors, grounding devices, terminal boards—you name it. For complete information please see our composite products catalog or visit our website, www.glenair.com



Glenair Composite Electrical Boxes Resist Corrosion and Reduce Costly and Time-Consuming Maintenance

Fleet managers are encouraged to replace corroded or leaking electrical metal boxes with their composite counterparts. Glenair composite boxes eliminate the costly repeated need to remove corroded metal boxes, re-preserve the ship's hull, installing a new box, and re-connecting the electrical system. Widespread use of Glenair composite boxes can eliminate the

need for ships to paint, repair and replace topside electrical boxes.

Glenair composite boxes provide corrosion-resistant alternatives to the metal boxes listed in MIL-T-24649 that covers most standard telephone boxes and MIL-E-24b42. Glenair composite boxes were developed to replace metal boxes on a one-for-one form fit and function basis.

Series 316 stainless steel hardware provides long-term durability

IP67 rated seals and gaskets protect equipment from moisture and dust

Glass reinforced composite thermoplastic material is strong and durable and yet extremely lightweight.

Glenair 147-021 and 147-022 Series Sound Powered Telephone Boxes for the US Navy are available in three box sizes with custom single, dual or quad jack receptacles

Low harmonic resonance and inherent attenuating properties reduce loosening and decoupling of feed-through fittings and accessories.

Unlimited corrosion resistance compared to metal junction boxes reduces repair and maintenance costs.

