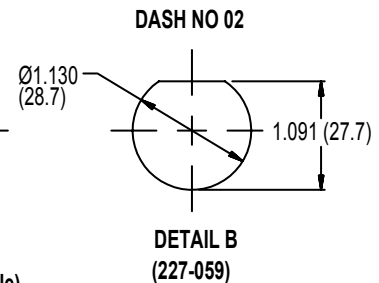
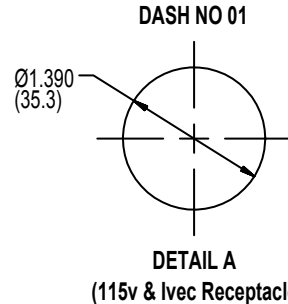
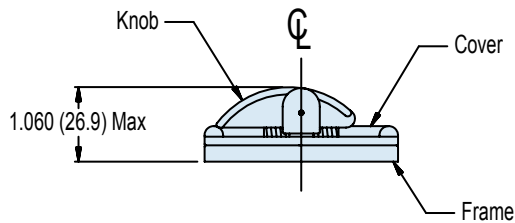
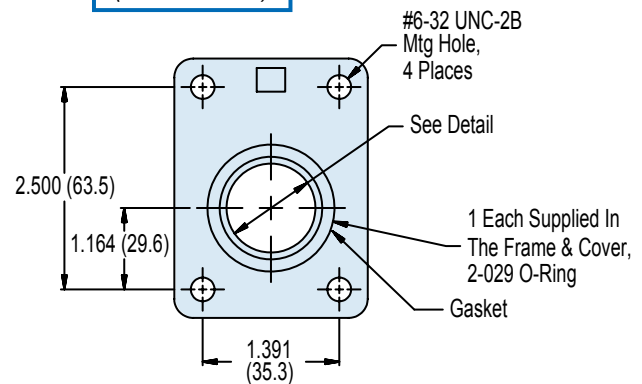
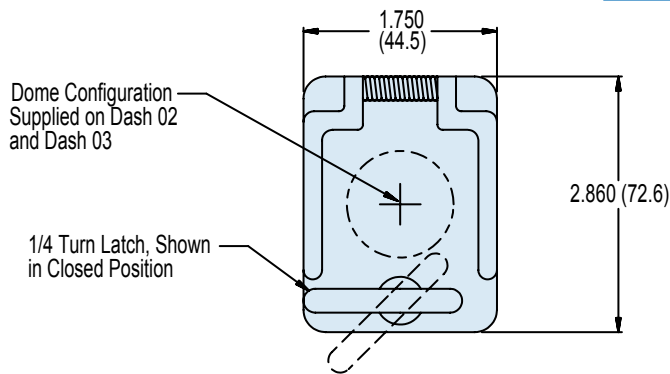


**Basic Part
Number**
630-038
**Dash
Number
(See Table I)**
XO - 01
K
**Finish
(None)**
**Four Mounting
Screws
(NAS720C6-4)**

APPLICATION NOTES

1. Assembly identified with manufacturer's name and part number, space permitting.
2. Color may be subject to fading, however UV exposure will not affect material physical properties.
3. Material / Finish:
Cover - Thermoplastic grey color/see Table II.
Spring and shaft - 316 SST/passivate.
Gaskets - Silicone rubber ZZ-R-765/N.A.
4. NAVSEA approved; Dwg 803-698-3506.
5. Metric dimensions (mm) are indicated in parentheses.

630-038XO-01K
 (See Table I for NSN Designator)
 Composite Box Cover Assembly
 for 147-020 and 147-021 Composite Boxes

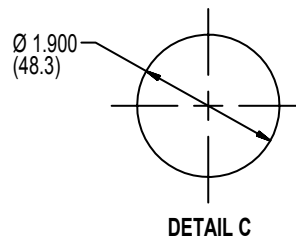
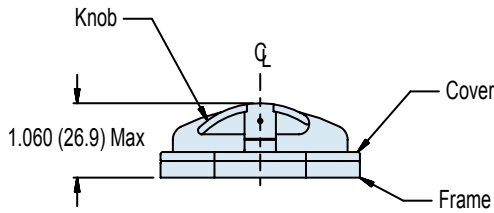
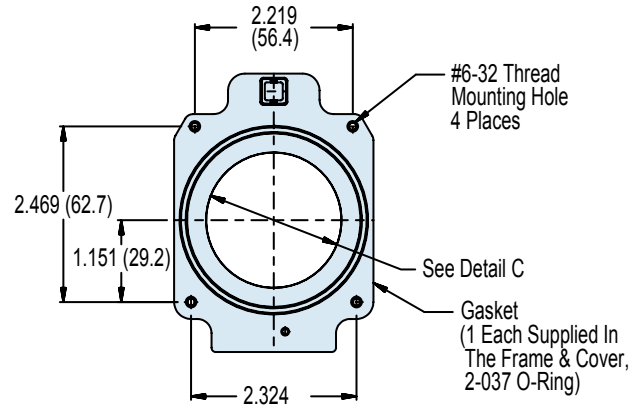
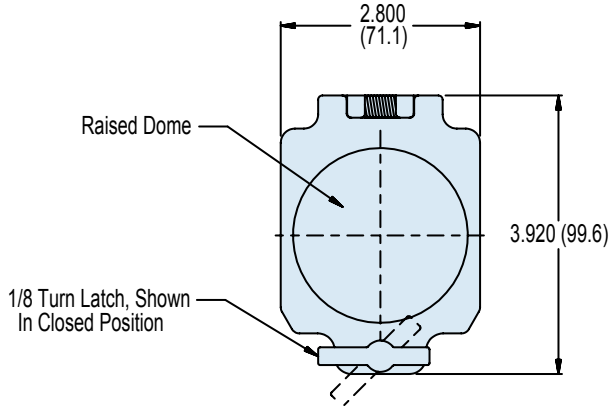
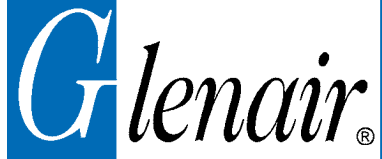


TABLE I: Dash Number and NSN Designators

Dash No.	Cut-Out Detail	Used On	Sheet Reference	NSN Designator
01	A	147-020 Series	Sheet 1	5975-01-556-9621 (XO Finish, K Option)
02	B	147-021 Series	Sheet 1	5975-01-556-9582 (XO Finish, K Option)
03	A	140-043-0006	Sheet 1	
24	C	147-023-02	Sheet 2	5975-01-556-9627 (XO Finish, K Option)