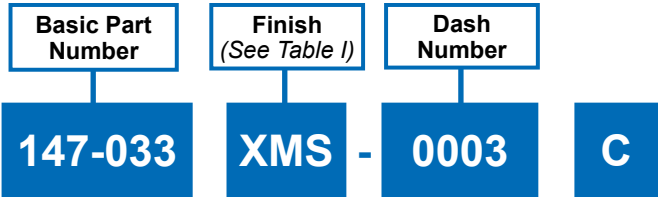


147-033XMS-0003
 (NSN: 5940-01-557-2725)
EMI/Environmental Composite Electrical Box
for MS3402 Receptacle Connector • Grounded



C Option Supplied with Connector Assembly
 See Specific Eng. Dwgs.
 Omit if Not Required

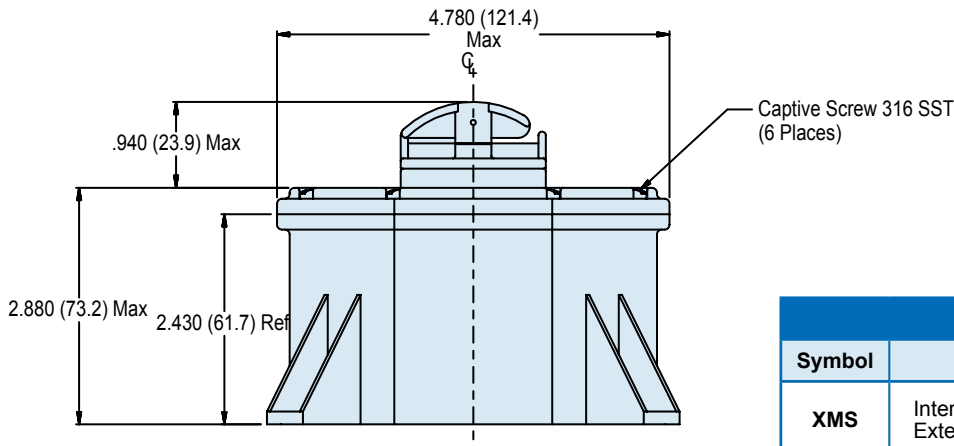
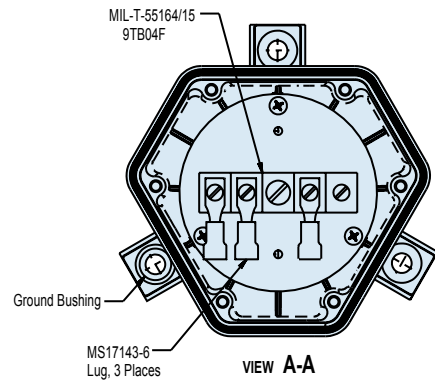
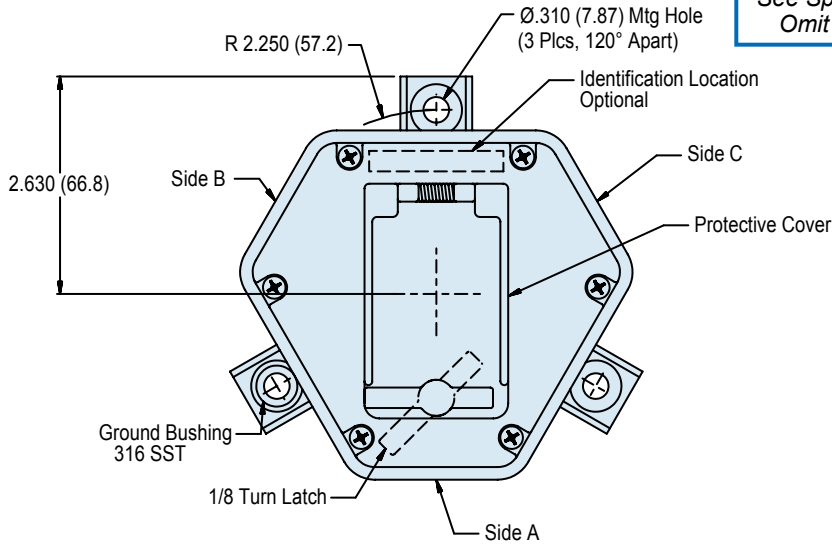


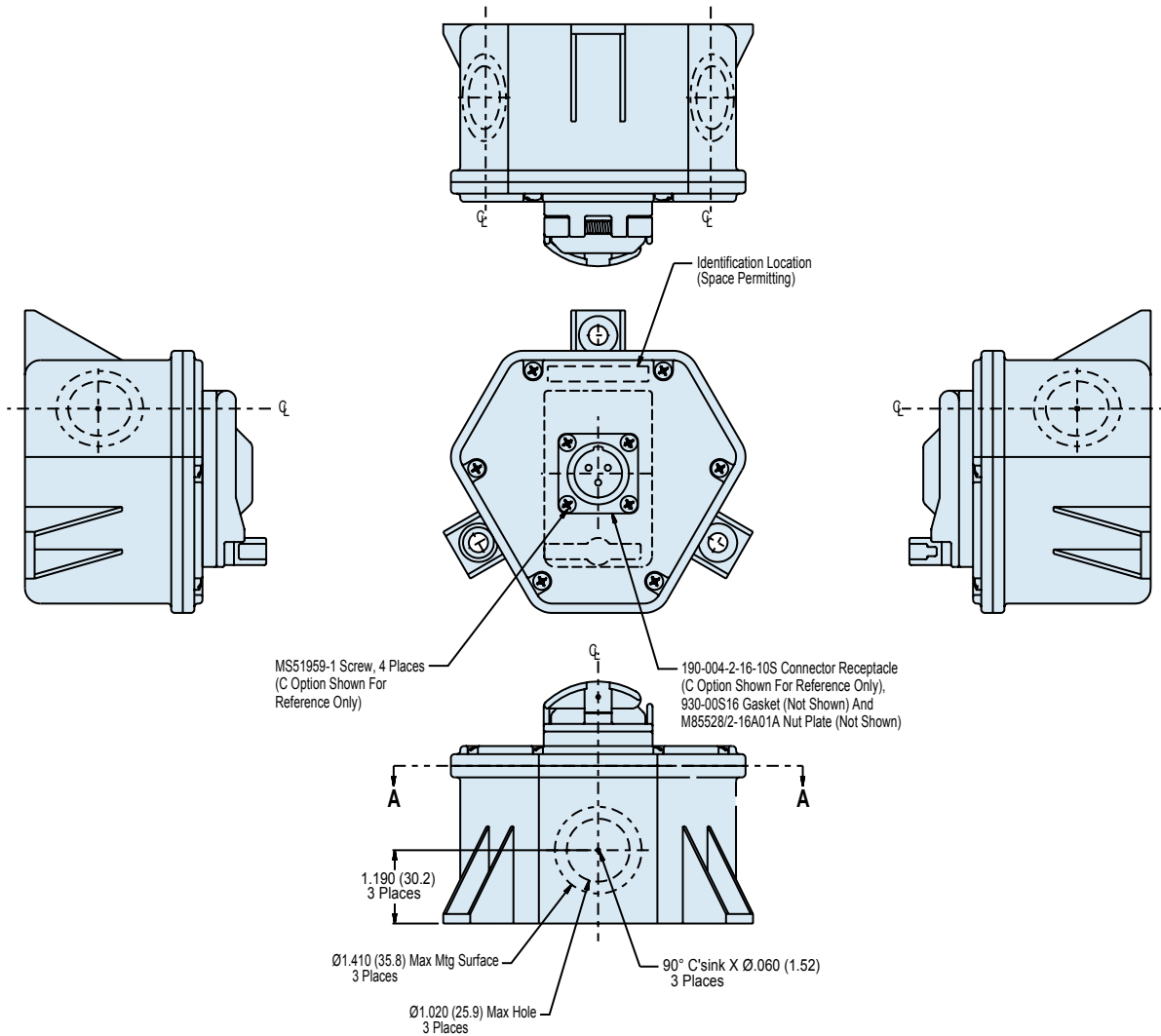
TABLE I: Finish	
Symbol	Description
XMS	Internal Surfaces - Electroless Nickel Exterior Surfaces - Unplated Light Grey Color
XO	No Plating

E

147-033XMS-0003
(NSN: 5940-01-557-2725)
EMI/Environmental Composite Electrical Box
for MS3402 Receptacle Connector • Grounded



Composite
Boxes



APPLICATION NOTES

1. Assembly identified with manufacturer's code identification number (Glenair, part number and classification code 490).
2. Material / Finish:
 Box, cover - Thermoplastic grey color/see Table I.
 Hardware - 316 SST/passivate.
 Seals and gaskets - Silicone/N.A.
 Mounting Plate - 300 series SST/passivate.
3. Dash 0003 NAVSEA approved, see 803-6983506.
4. Glenair recommended mating connector plug and backshell: 190-004-6-16-10P.
5. Metric dimensions (mm) are indicated in parentheses.