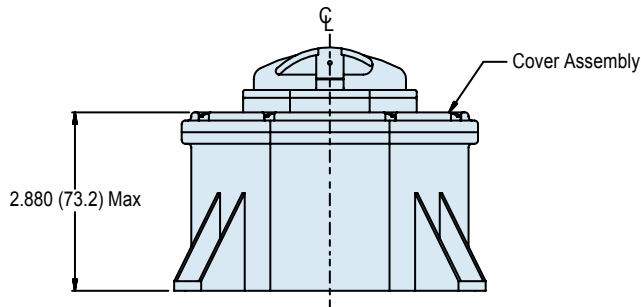


FIGURE 1 TOP VIEW



147-023XMS-02
 (NSN: 5940-01-557-2667)
 15 Amp, 115 V Blade Type Receptacle Composite Box
 Grounded • Size 4.3 x 4.8 x 2.9



Composite
Boxes

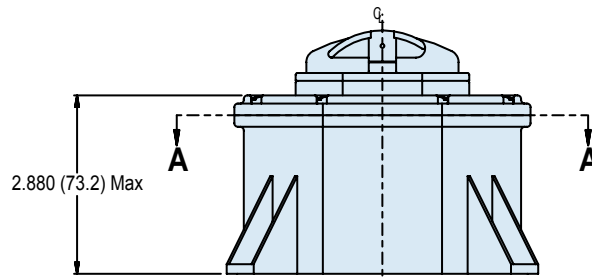
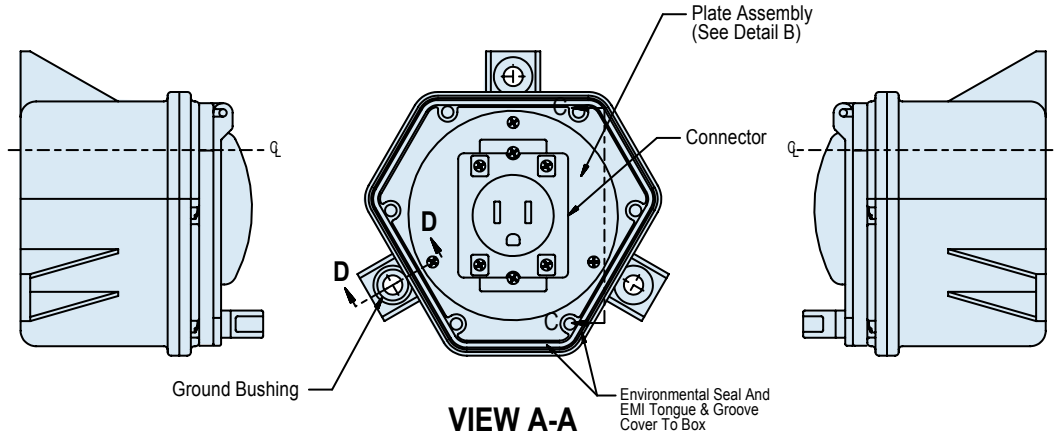
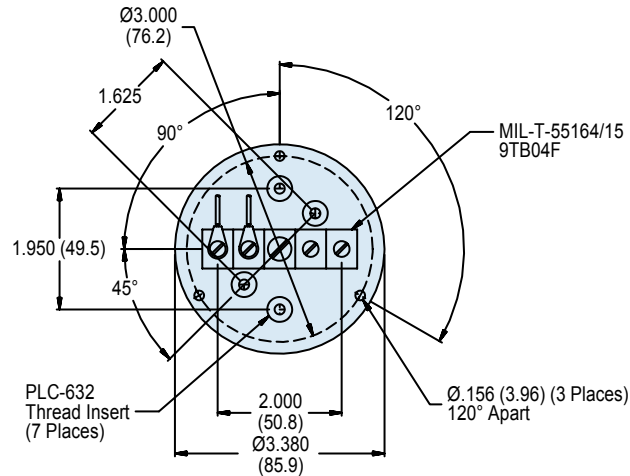


FIGURE 2

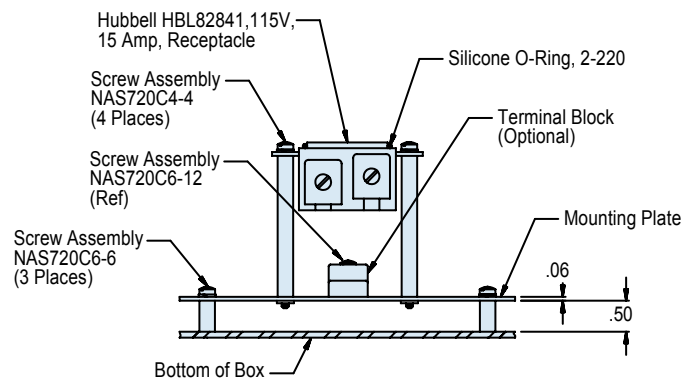


147-023XMS-02

(NSN: 5940-01-557-2667)

15 Amp, 115 V Blade Type Receptacle Composite Box
 Grounded • Size 4.3 x 4.8 x 2.9


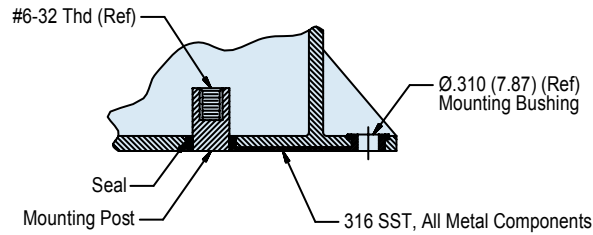
DETAIL B



VIEW C-C

APPLICATION NOTES

1. Assembly identified with manufacturer's code identification number (Glenair, part number and classification code 490).
2. Color may be subject to fading, however UV exposure will not affect material physical properties.
3. Assembly is similar to symbol part numbers and require installation in accordance with NAVSEA drawing 803-6983506.
4. Material / Finish:
 - Box, cover - Thermoplastic grey color/see Table I.
 - Hardware - 316 SST/passivate.
 - Seals and gaskets - Silicone/N.A.
 - Mounting Plate - 300 series SST/passivate.
5. NAVSEA approved; Dwg 803-698-3506.
6. Metric dimensions (mm) are indicated in parentheses.



SECTION D-D
Electrical Ground Through Internal
Mounting Post To External Mounting Bushing

TABLE I: Finish	
Symbol	Description
XMS	Internal Surfaces - Electroless Nickel Exterior Surfaces - Unplated Light Grey Color
XO	No Plating

TABLE II: Replacement Parts			
Item	Part Number	Description	Material
1	140-065**-02	Cover Assembly	Grey Thermoplastic
2	687-499-2	Cover Screw Assembly	316 SST/Passivate
3	687-305Z132	Mounting Plate Assembly	300 Series SST
4	630-038XO-04K	1/8 Turn Flop Lid	Grey Thermoplastic
5	HBL8284I	Electrical Connector	N/A

