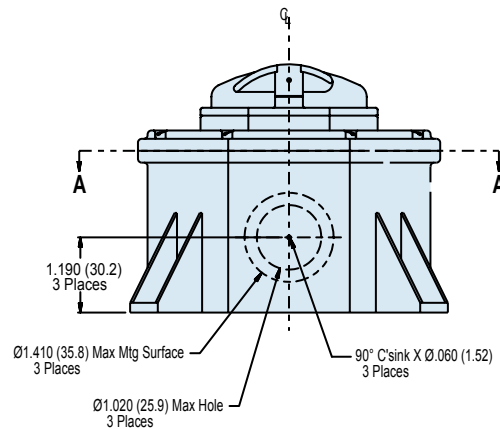
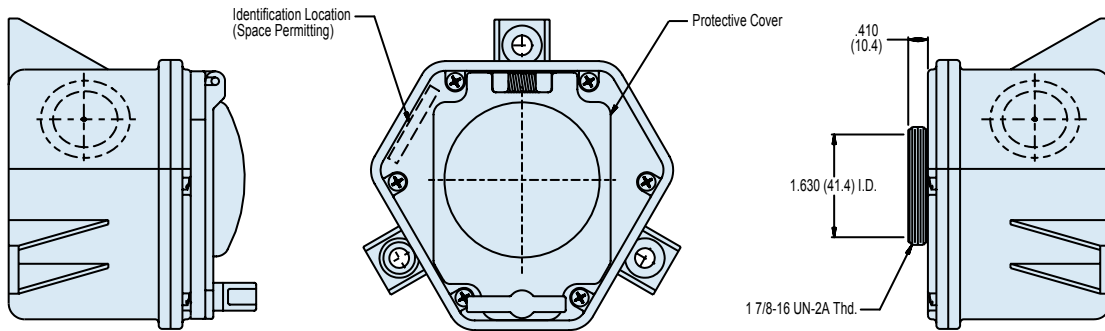
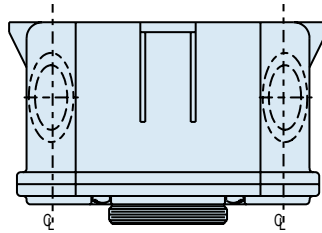


**SECTION VIEW C-C**  
 Mounting Plate, Internal Mounting Post and  
 External Mounting Bushing (Ground Option Shown)





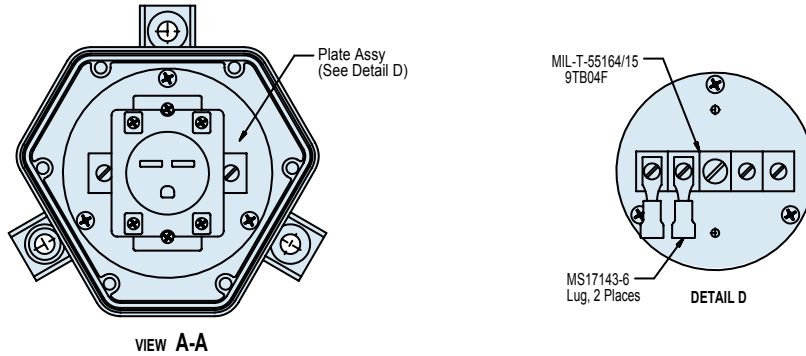


TABLE I: Finish

Symbol	Description
XMS	Internal Surfaces - Electroless Nickel Exterior Surfaces - Unplated Light Grey Color
XO	No Plating

APPLICATION NOTES

1. Assembly identified with manufacturer's code identification number (Glenair, part number and classification code 490).
2. Accommodates one each, 115V or 125V, 15 Amp electrical connector receptacle (See Detail B).
3. Material / Finish:  
 Box, cover - Thermoplastic grey color/see Table I.  
 Hardware - 316 SST/passivate.  
 Seals and gaskets - Silicone/N.A.  
 Mounting Plate - Al alloy/electroless nickel or 300 series SST/passivate.
4. Dash 0005G NAVSEA approved, see 803-6983506.
5. Metric dimensions (mm) are indicated in parentheses.