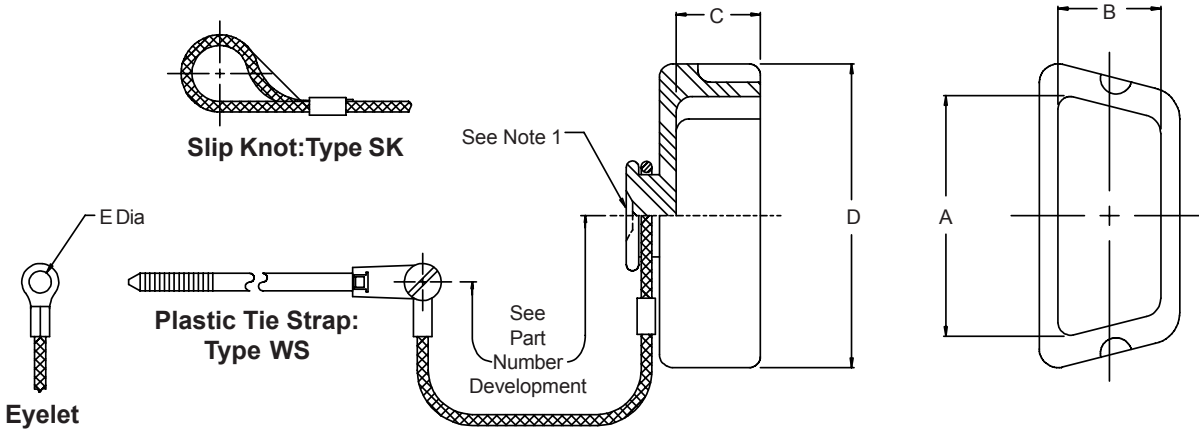
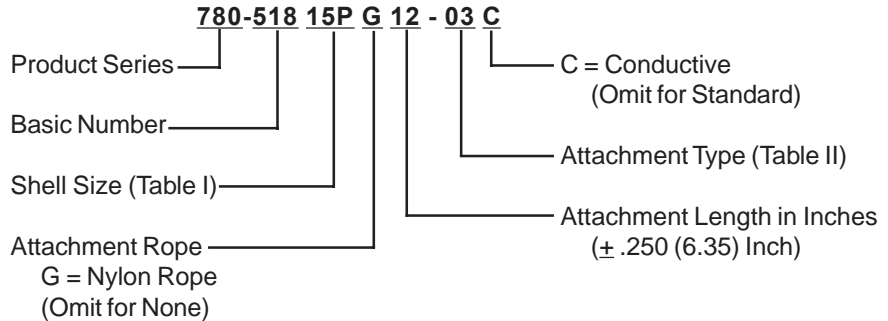




**780-518**  
**“Marshal Bean” Protective Rubber Cover**  
**Universal D-Subminiature**  
**for MIL-DTL-24308 Connectors**



*"To Protect  
and to Serve"*



**TABLE I: SHELL SIZE & COVER DIMENSIONS**

Shell Size	A		B		C		D	
09S	.610	(15.5)	.280	(7.1)	.220	(5.6)	.820	(20.8)
09P	.650	(16.5)	.330	(8.4)	.230	(5.8)	.820	(20.8)
15S	.940	(23.9)	.280	(7.1)	.240	(6.1)	1.260	(32.0)
15P	.970	(24.6)	.330	(8.4)	.240	(6.1)	1.260	(32.0)
25S	1.480	(37.6)	.280	(7.1)	.250	(6.4)	1.760	(44.7)
25P	1.500	(38.1)	.330	(8.4)	.250	(6.4)	1.780	(45.2)
37S	2.120	(53.8)	.280	(7.1)	.230	(5.8)	2.290	(58.2)
37P	2.150	(54.6)	.330	(8.4)	.230	(5.8)	2.290	(58.2)
50S	2.030	(51.6)	.390	(9.9)	.240	(6.1)	2.170	(55.1)
50P	2.050	(52.0)	.450	(11.4)	.230	(5.8)	2.230	(56.6)

**TABLE II: ATTACHMENT TYPE**

Dash No.	E Dia ±.010 (0.3)
00	No Terminal
01	.140 (3.6)
02	.182 (4.6)
03	.191 (4.9)
04	.197 (5.0)
05	.167 (4.2)
06	.125 (3.2)
07	.218 (5.5)
09	.156 (4.0)
WS	With Strap
SK	Slip Knot

**NOTES:**

1. Cover Identified in area shown.
2. Metric dimensions (mm) are indicated in parentheses.
3. This series of covers is similar to Bean Rubber Mfg. Co. BP-D Subminiature Series, same Dash No., i.e.: BP-DAM15P-WS-L6 equivalent to 780-518-15PG6-WS