



550-041 D-Subminiature TAG Ring® Split Backshell with Shrink Boot Groove

550 T 041 M 2 F0 B 1 L T

Basic Part No. ————
 Cable Entry Style ————
 T = Top
 S = Side
 E = End
 Basic Part Number ————
 Finish Symbol (Page 3) ————
 Shell Size (Table I) ————

Shrink Boot Supplied (Table I), Omit for None
 L = Strain Relief, G = Gland Nut
 0 = Without EMI Gasket, 1 = With EMI Gasket
 Jackscrew Type (Page A-4)
 Receptacle Mounting (Right Page)
 F0 = Front Mounting
 R1-R9 = Rear Mounting

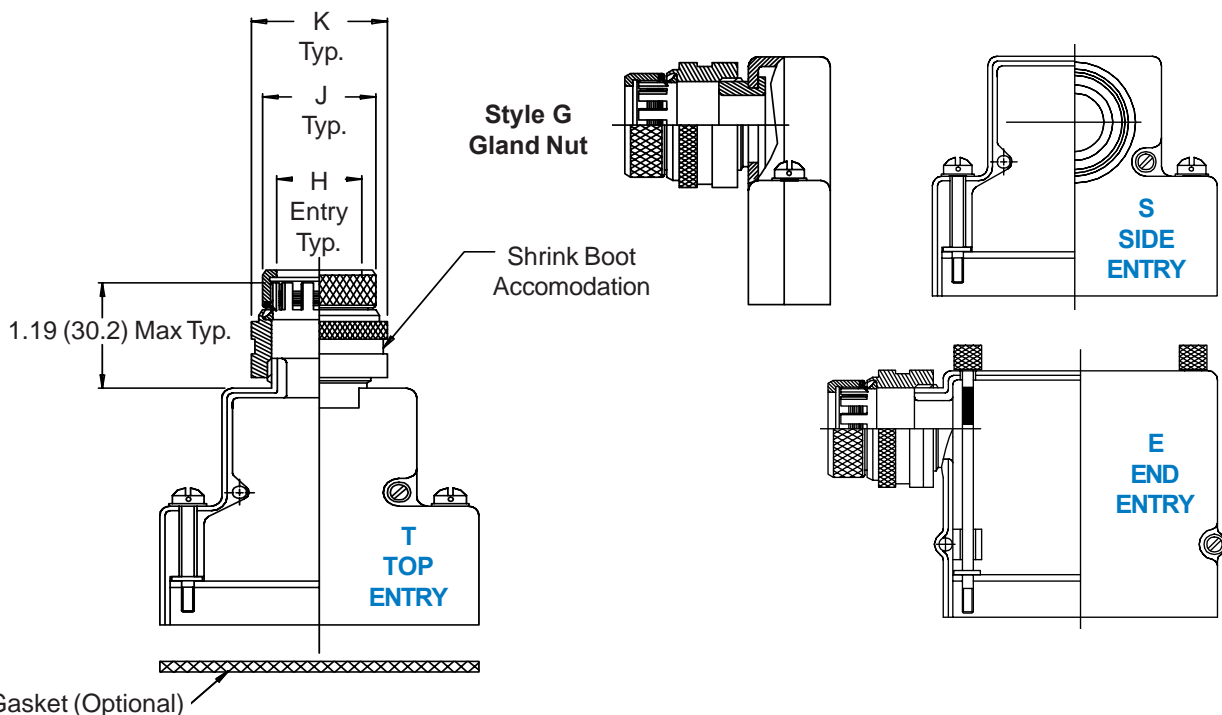
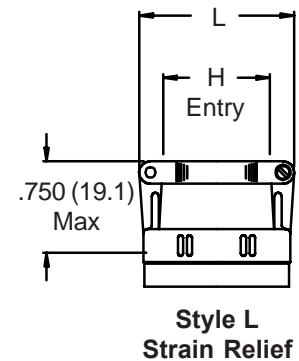


TABLE I: SHELL SIZE, CABLE ENTRY & SHRINK BOOT

Shell Size	H Entry	J Max	K Dia Max	L Max	Shrink Boot
1	.250 (6.4)	.545 (13.8)	.650 (16.5)	.968 (24.6)	202K121-25-0
2	.375 (9.5)	.670 (17.0)	.774 (19.7)	1.046 (26.6)	202K132-25-0
3	.475 (12.1)	.795 (20.2)	.963 (24.5)	1.156 (29.4)	202K142-25-0
4	.475 (12.1)	.795 (20.2)	.963 (24.5)	1.156 (29.4)	202K142-25-0
5	.575 (14.6)	.920 (23.4)	1.042 (26.5)	1.218 (30.9)	202K153-25-0
6*	1.000 (25.4)	1.295 (32.9)	1.420 (36.1)	1.593 (40.5)	202K163-25-0

* Shell Size 6 Available in Top Entry Only.

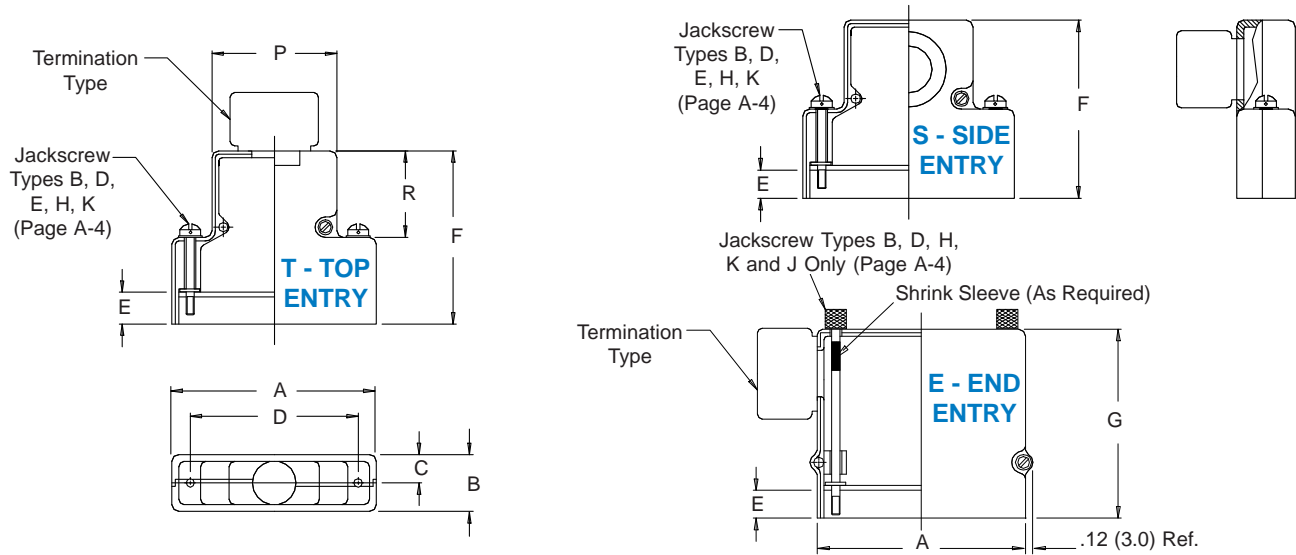


1. Metric dimensions (mm) are indicated in parentheses.
2. **DO NOT USE CONNECTORS WITH FLOAT MOUNTINGS.**
3. TAG Ring® nut is aluminum with gold iridite finish. TAG Ring® spring is beryllium copper with gold plating.

D-Subminiature Split Backshells Standard Dimensions



MIL-C-24308
D-Subminiature



COMMON BACKSHELL DIMENSIONS

Shell Size	Com'l Shell Size Ref	A Max	B Max	C Ref.	D		P	R Ref
					±.005	(.1)		
1	E/09	1.393 (35.4)	.624 (15.8)	.312 (7.9)	.984 (25.0)	.730 (18.5)	.719 (18.3)	
2	A/15	1.706 (43.3)	.624 (15.8)	.312 (7.9)	1.312 (33.3)	1.050 (26.7)	.719 (18.3)	
3	B/25	2.265 (57.5)	.624 (15.8)	.312 (7.9)	1.852 (47.0)	1.594 (40.5)	.938 (23.8)	
4	C/37	2.900 (73.7)	.624 (15.8)	.312 (7.9)	2.500 (63.5)	2.240 (56.9)	.938 (23.8)	
5	D/50	2.800 (71.1)	.750 (19.1)	.375 (9.5)	2.406 (61.1)	2.140 (54.4)	.938 (23.8)	
6	F/104	2.900 (73.7)	.844 (21.4)	.422 (10.7)	2.500 (63.5)	2.240 (56.9)	1.094 (27.8)	

CABLE MOUNTING DIMENSIONS

Dash No.	Panel Thickness	E	F ± .031 (0.79)			G ± .031 (0.79)	
			Sizes 1 & 2	Sizes 3 - 5	Size 6	Sizes 1 & 2	Sizes 3 - 5
CC	n/a	.174 (4.4)	1.451 (36.9)	1.671 (42.4)	1.820 (46.2)	1.583 (40.2)	1.831 (46.5)
F0	n/a	.343 (8.7)	1.625 (41.3)	1.844 (46.8)	2.000 (50.8)	1.750 (44.5)	2.000 (50.8)
R1	.031 (.8)	.247 (6.3)	1.525 (38.7)	1.745 (44.3)	1.890 (48.0)	1.656 (42.1)	1.904 (48.4)
R2	.047 (1.2)	.231 (5.9)	1.509 (38.3)	1.728 (43.9)	1.875 (47.6)	1.640 (41.7)	1.888 (48.0)
R3	.062 (1.6)	.216 (5.5)	1.500 (38.1)	1.720 (43.7)	1.860 (47.2)	1.625 (41.3)	1.873 (47.6)
R4	.093 (2.4)	.185 (4.7)	1.470 (37.3)	1.690 (42.9)	1.829 (46.5)	1.594 (40.5)	1.842 (46.8)
R5	.104 (2.6)	.174 (4.4)	1.451 (36.9)	1.671 (42.4)	1.820 (46.2)	1.583 (40.2)	1.831 (46.5)
R6	.125 (3.2)	.153 (3.9)	1.430 (36.3)	1.650 (41.9)	1.798 (45.7)	1.563 (39.7)	1.811 (46.0)
R7	.156 (4.0)	.125 (3.2)	1.400 (35.6)	1.620 (41.1)	1.767 (44.9)	1.531 (38.9)	1.781 (45.2)
R8	.135 (3.4)	.140 (3.6)	1.417 (36.0)	1.637 (41.6)	1.805 (45.8)	1.550 (39.4)	1.798 (45.7)
R9	.188 (4.8)	.094 (2.4)	1.368 (34.7)	1.590 (40.4)	1.740 (44.2)	1.500 (38.1)	1.750 (44.5)

1. Metric dimensions (mm) are indicated in parentheses.