

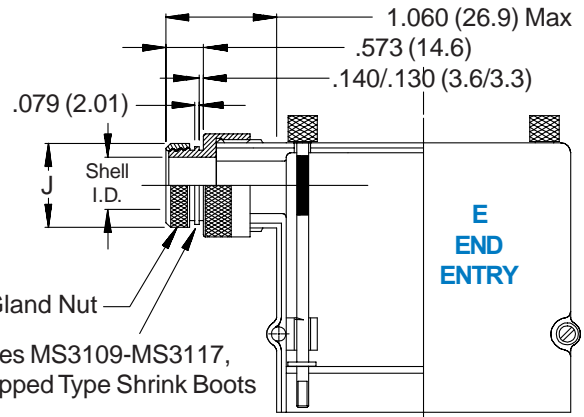
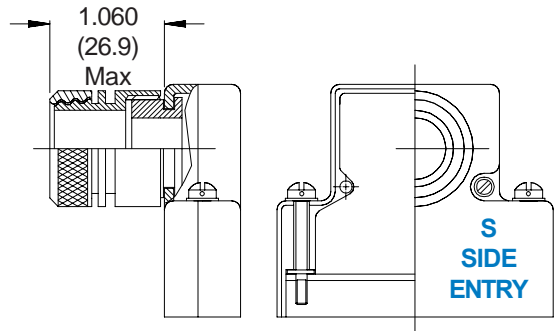
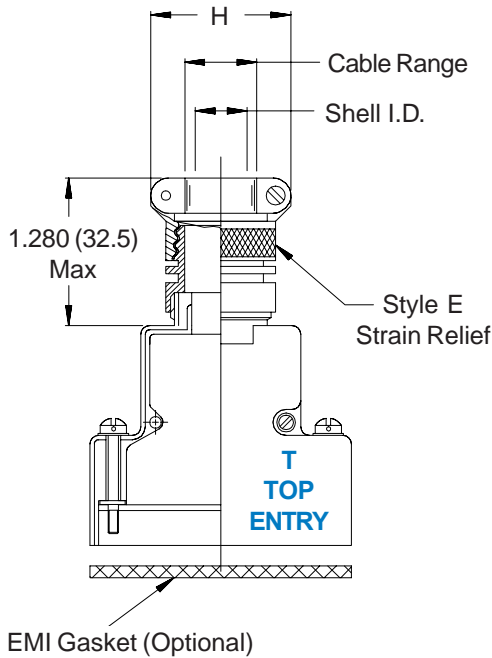


550-005 EMI/RFI D-Subminiature Split Backshell Lamp-Thread Type Shield Termination With Shrink Boot Groove

550 T 005 M 2 F0 B 1 F 02

- Basic Part No. ————
- Cable Entry Style ————
T = Top
S = Side
E = End
- Basic Part Number ————
- Finish Symbol (Page 3) ————
- Shell Size (Table I) ————
- Cable Entry Dash No. (Table II)
- E = Strain Relief, G = Gland Nut
- 0 = Without EMI Gasket,
1 = With EMI Gasket
- Jackscrew Type (Page A-4)
- Receptacle Mounting (Right Page)
CC = Cable-to-Cable Mounting
F0 = Front Mounting
R1-R9 = Rear Mounting

1. Metric dimensions (mm) are indicated in parentheses.
2. **DO NOT USE CONNECTORS WITH FLOAT MOUNTINGS.**
3. Overall shield thickness range:
Max to .031 (0.8)



Accommodates MS3109-MS3117,
M85049/68 Lipped Type Shrink Boots

TABLE I: SHELL SIZE & ENTRY STYLE

Shell Size	Com'l Shell Size Ref	Entry Style T (Ref) Shell I.D.	Entry Style E Shell I.D.
1	E/09	.250 (6.4)	.375 (9.5)
2	A/15	.375 (9.5)	.375 (9.5)
3	B/25	.475 (12.1)	.475 (12.1)
4	C/37	.475 (12.1)	.475 (12.1)
5	D/50	.575 (14.6)	.575 (14.6)
6 *	F/104	1.000 (25.4)	n/a

* Shell Size 6 Available in Top Entry Only.

TABLE II: BACKSHELL DIMENSIONS & CABLE ENTRY

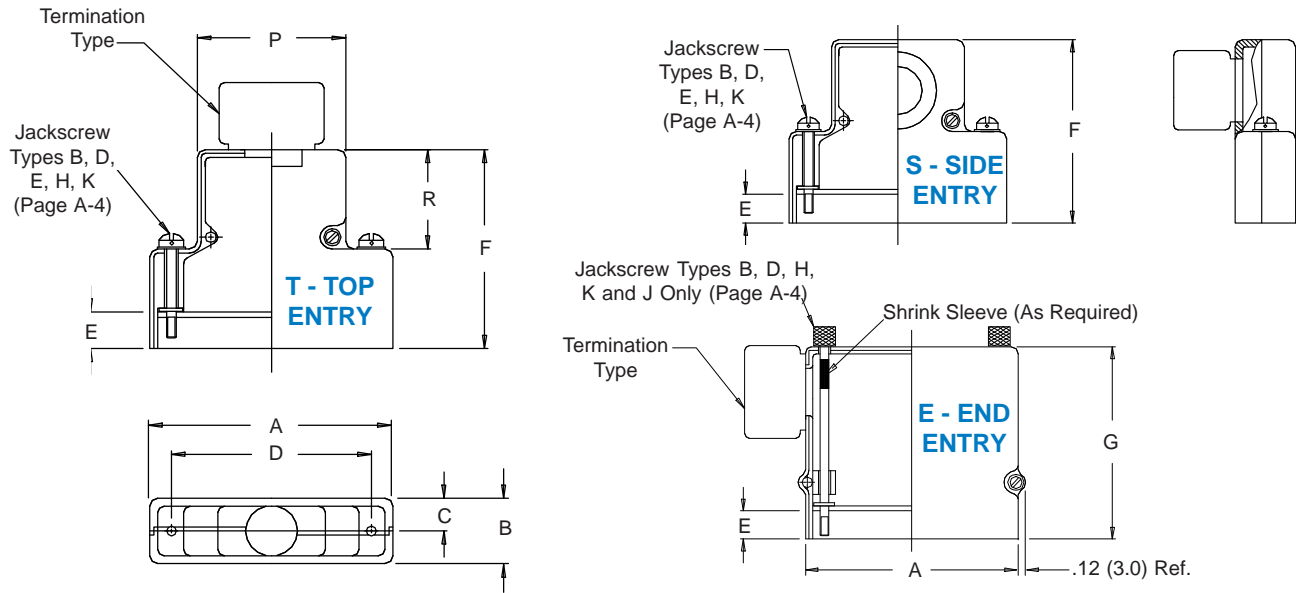
Dash No.	H		J Max	Cable Range	
	Max			Min	Max
02	.968 (24.6)		.515 (13.1)	.125 (3.2)	.250 (6.4)
03	1.046 (26.6)		.640 (16.3)	.250 (6.4)	.375 (9.5)
04	1.156 (29.4)		.765 (19.4)	.312 (7.9)	.500 (12.7)
05	1.218 (30.9)		.920 (23.4)	.437 (11.1)	.625 (15.9)
06	1.343 (34.1)		1.015 (25.8)	.562 (14.3)	.750 (19.1)
07*	1.468 (37.3)		1.140 (29.0)	.687 (17.4)	.875 (22.2)
08*	1.593 (40.5)		1.265 (32.1)	.812 (20.6)	1.000 (25.4)

* Available in Shell Size 6 Only

D-Subminiature Split Backshells Standard Dimensions



MIL-C-24308
D-Subminiature



COMMON CONNECTOR/SHELL INTERFACE & BACKSHELL DIMENSIONS

Shell Size	Com'l Shell Size Ref	A Max	B Max	C Ref.	D ±.005 (.1)	P	R Ref
1	E/09	1.393 (35.4)	.624 (15.8)	.312 (7.9)	.984 (25.0)	.730 (18.5)	.719 (18.3)
2	A/15	1.706 (43.3)	.624 (15.8)	.312 (7.9)	1.312 (33.3)	1.050 (26.7)	.719 (18.3)
3	B/25	2.265 (57.5)	.624 (15.8)	.312 (7.9)	1.852 (47.0)	1.594 (40.5)	.938 (23.8)
4	C/37	2.900 (73.7)	.624 (15.8)	.312 (7.9)	2.500 (63.5)	2.240 (56.9)	.938 (23.8)
5	D/50	2.800 (71.1)	.750 (19.1)	.375 (9.5)	2.406 (61.1)	2.140 (54.4)	.938 (23.8)
6	F/104	2.900 (73.7)	.844 (21.4)	.422 (10.7)	2.500 (63.5)	2.240 (56.9)	1.094 (27.8)

CABLE MOUNTING AND BACKSHELL DIMENSIONS

Dash No.	Panel Thickness	E	F ± .031 (0.79)			G ± .031 (0.79)	
			Sizes 1 & 2	Sizes 3 - 5	Size 6	Sizes 1 & 2	Sizes 3 - 5
CC	n/a	.174 (4.4)	1.451 (36.9)	1.671 (42.4)	1.820 (46.2)	1.583 (40.2)	1.831 (46.5)
F0	n/a	.343 (8.7)	1.625 (41.3)	1.844 (46.8)	2.000 (50.8)	1.750 (44.5)	2.000 (50.8)
R1	.031 (.8)	.247 (6.3)	1.525 (38.7)	1.745 (44.3)	1.890 (48.0)	1.656 (42.1)	1.904 (48.4)
R2	.047 (1.2)	.231 (5.9)	1.509 (38.3)	1.728 (43.9)	1.875 (47.6)	1.640 (41.7)	1.888 (48.0)
R3	.062 (1.6)	.216 (5.5)	1.500 (38.1)	1.720 (43.7)	1.860 (47.2)	1.625 (41.3)	1.873 (47.6)
R4	.093 (2.4)	.185 (4.7)	1.470 (37.3)	1.690 (42.9)	1.829 (46.5)	1.594 (40.5)	1.842 (46.8)
R5	.104 (2.6)	.174 (4.4)	1.451 (36.9)	1.671 (42.4)	1.820 (46.2)	1.583 (40.2)	1.831 (46.5)
R6	.125 (3.2)	.153 (3.9)	1.430 (36.3)	1.650 (41.9)	1.798 (45.7)	1.563 (39.7)	1.811 (46.0)
R7	.156 (4.0)	.125 (3.2)	1.400 (35.6)	1.620 (41.1)	1.767 (44.9)	1.531 (38.9)	1.781 (45.2)
R8	.135 (3.4)	.140 (3.6)	1.417 (36.0)	1.637 (41.6)	1.805 (45.8)	1.550 (39.4)	1.798 (45.7)
R9	.188 (4.8)	.094 (2.4)	1.368 (34.7)	1.590 (40.4)	1.740 (44.2)	1.500 (38.1)	1.750 (44.5)

1. Metric dimensions (mm) are indicated in parentheses.