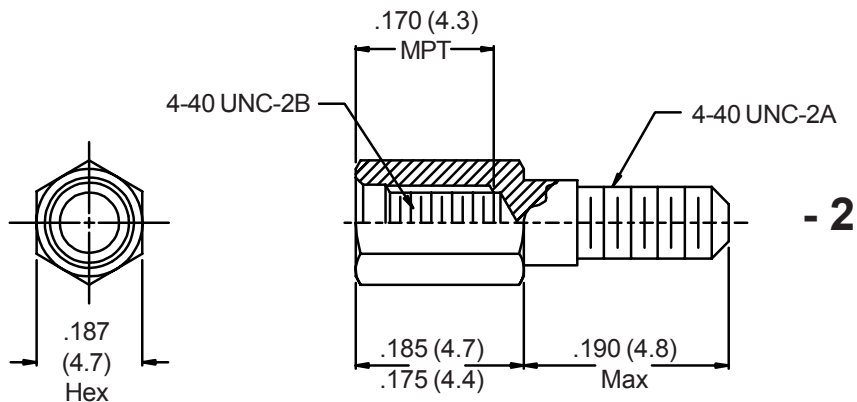
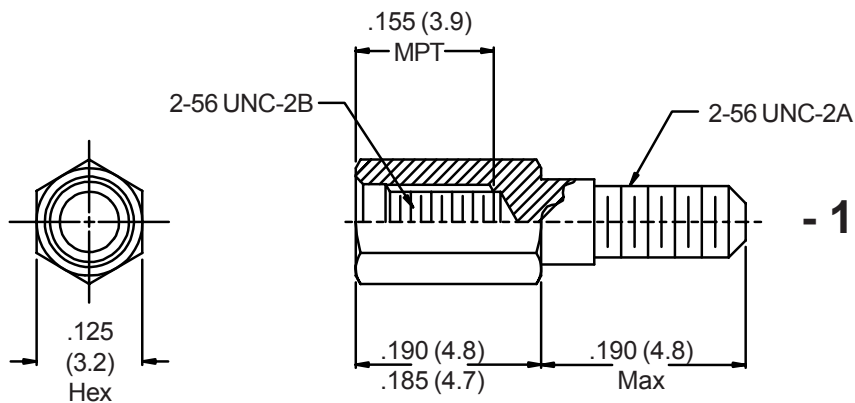


# 500-063 Micro-D Jackpost Kit for Printed Circuit Boards



HOW TO ORDER	
Series-Basic Part Number	Thread Size
500-063	1 - 09-51 #2-56 Thread
	2 - 100 #4-40 Thread
Sample Part Number: 500-063 - 1	
SEE PAGE C-4 FOR STANDARD MATERIALS INFORMATION	

Metric dimensions (mm) are indicated in parentheses