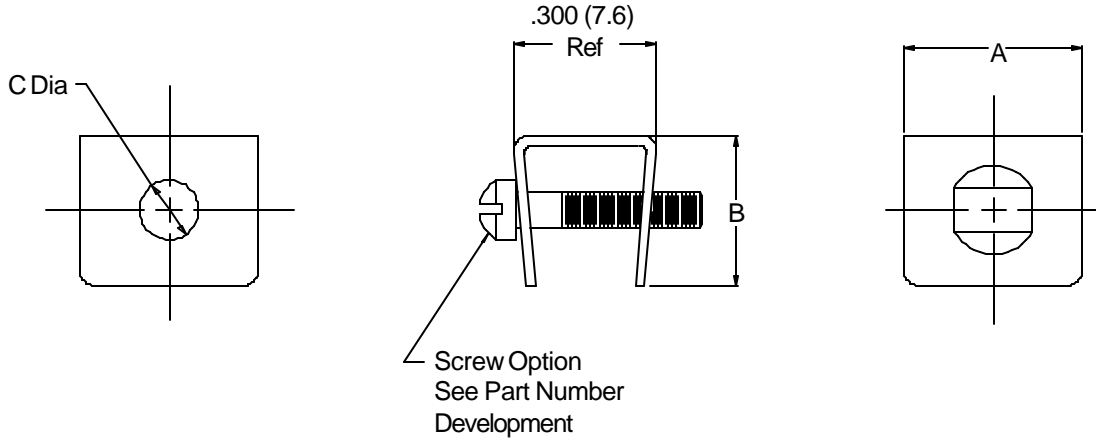




500-015 Micro-D Backshell Clip



Dash No.	A	B	C Dia
1	.172 (4.4)	.210 (5.3)	.090 (2.3)
2	.250 (6.4)	.320 (8.1)	.120 (3.0)

Series-Basic Part Number	Shell Size (Table I)	Jackscrew Type* (Table II)	Assembly Less Clip (Jackscrew Only)	Clip Material
500-015	1 – 09-51 2 – 100	S – Fillister H – Socket	L – Assembly Less Clip	1 – Clip: Berillium Copper/Gold Plated Screw: Brass/Gold Plated (Omit for Std. Cres/Passivate)
Sample Part Number:				
500-015	— 1	S	L	— 1
* SEE PAGE C-4 FOR COMPLETE INFORMATION				

Metric dimensions (mm) are indicated in parentheses