

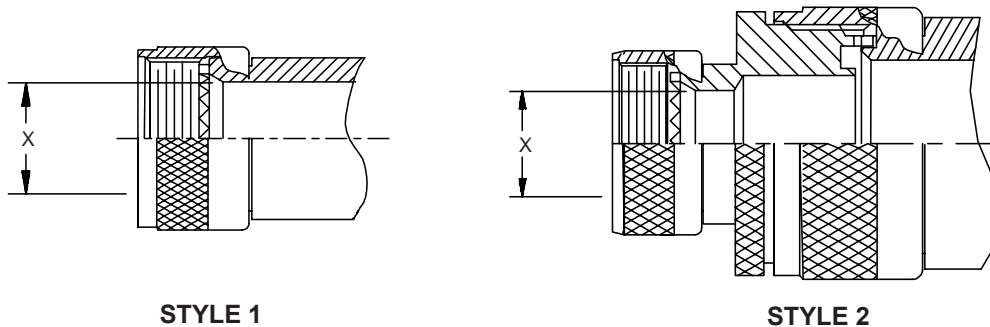
## Style 1/Style 2 Backshells General Information and Rotatable Coupling "X" Diameters



How  
to Order

### Style 1 and Style 2 Backshells

It is a simple fact that the front end of the backshell must fit the rear end of the connector shell. Likewise the rear end of the backshell must be large enough to accept the cable or wire bundle. When the target connector selected for an application is small, but the cable entry diameter selected is large, then a style 2 design (shown below) will automatically be produced by the factory. The stepped design of the Style 2 accommodates large shielded cables terminated to small connectors.



### Maximum Cable/Wire Bundle X Diameter for Style 1 Backshells With Rotatable Coupling

SHELL SIZE	X DIAMETER CONNECTOR DESIGNATOR						
	A	F	G	H	J	L	S
03	.260 (6.6)						
08/09	.260 (6.6)	.264 (6.7)		.299 (7.6)	.446 (11.3)	.299 (7.6)	.312 (7.9)
10/11	.365 (9.3)	.392 (10.0)	.367 (9.3)	.427 (10.8)	.571 (14.5)	.427 (10.8)	.429 (10.9)
12/13	.501 (12.7)	.506 (12.9)	.502 (12.8)	.541 (13.7)		.541 (13.7)	.554 (14.1)
14/15	.575 (14.6)	.631 (16.0)	.647 (16.4)	.666 (16.9)	.821 (20.9)	.641 (16.3)	.668 (17.0)
16/17	.700 (17.8)	.756 (19.2)	.744 (18.9)	.791 (20.1)	.946 (24.0)	.766 (19.5)	.793 (20.1)
18/19	.780 (19.8)	.845 (21.5)	.876 (22.3)	.897 (22.8)	1.071 (27.2)	.885 (22.5)	.888 (22.6)
20/21	.904 (23.0)	.970 (24.6)		1.022 (26.0)	1.196 (30.4)	.980 (24.9)	1.025 (26.0)
22/23	1.030 (26.2)	1.095 (27.8)	1.073 (27.3)	1.147 (29.1)	1.321 (33.6)	1.165 (29.6)	1.150 (29.2)
24/25	1.144 (29.1)	1.220 (31.0)	1.205 (30.6)	1.272 (32.3)	1.446 (36.7)	1.230 (31.2)	1.275 (32.4)
28/29	1.380 (35.1)		1.442 (36.6)				
32/33	1.625 (41.3)		1.640 (41.7)				
36	1.840 (46.7)						
40	2.055 (52.2)						
44	2.310 (58.7)						
48	2.560 (65.0)						
61	1.184 (30.1)						

Metric dimensions (mm) are indicated in parentheses