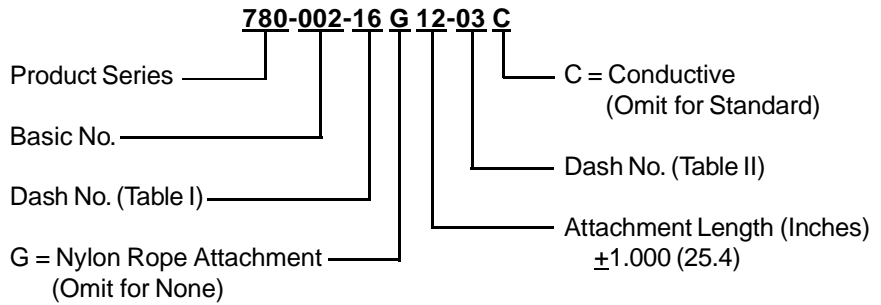
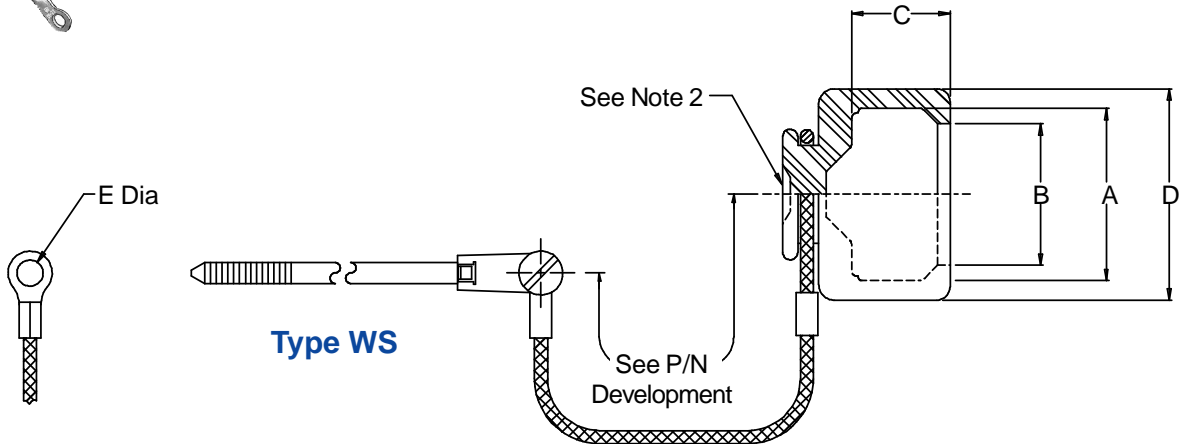
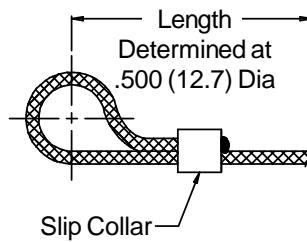


**780-002 (Receptacle)
Mr. Bean Protective Rubber Covers
Universal Circular**

- MIL-C-38999
Series I, II, III**
- MIL-DTL-5015**
- MIL-C-26482
SERIES I AND II**
- MIL-DTL-83723
SERIES III**
- MIL-C-81511
SERIES I, II, III AND IV**
- MIL-C-28840**



Type SK



- NOTES:**
- Metric dimensions (mm) are indicated in parentheses.
 - This series of covers is similar to Bean Rubber BP Series, Same Dash No. (Except as noted in Table I), ie: SBP-16-WC equivalent to 780-002-16G12-09.



*"To Protect
and to Serve"*

780-002 (Receptacle)
Mr. Bean Protective Rubber Covers
Universal Circular



66 & 78

TABLE I: COVER DIMENSIONS

Dash No.	A Dia	B Dia	C Dim	D Dim	Bean Rubber Mfg Cross Ref No.
01	.160 (4.1)	N/A.220	.400 (10.2)	.750 (19.1)	N/A
02	.240 (6.1)	(5.6)	.400 (10.2)	.750 (19.1)	N/A
03	.320 (8.1)	.250 (6.4)	.300 (7.6)	.750 (19.1)	BP-3
04	.420 (10.7)	.390 (9.9)	.630 (16.0)	.750 (19.1)	BP-4
05	.370 (9.4)	.330 (8.4)	.500 (12.7)	.750 (19.1)	N/A
06	.470 (11.9)	.440 (11.2)	.630 (16.0)	.750 (19.1)	BP-6
07	.780 (19.8)	.560 (14.2)	.630 (16.0)	1.150 (29.2)	SBP-7
08	.780 (19.8)	.560 (14.2)	.630 (16.0)	1.150 (29.2)	SBP-8
09	.850 (21.6)	.650 (16.5)	.630 (16.0)	1.250 (31.8)	SBP-9
10	.890 (22.6)	.680 (17.3)	.630 (16.0)	1.250 (31.8)	SBP-10
11	1.050 (26.7)	.830 (21.1)	.630 (16.0)	1.560 (39.6)	SBP-11
12	1.060 (26.9)	.840 (21.3)	.630 (16.0)	1.560 (39.6)	SBP-12
13	1.220 (31.0)	1.000 (25.4)	.630 (16.0)	1.680 (42.7)	SBP-13
14	1.180 (30.0)	.960 (24.4)	.630 (16.0)	1.680 (42.7)	SBP-14
15	1.350 (34.3)	1.130 (28.7)	.630 (16.0)	1.810 (46.0)	SBP-15
16	1.310 (33.3)	1.090 (27.7)	.630 (16.0)	1.810 (46.0)	SBP-16
17	1.480 (37.6)	1.260 (32.0)	.630 (16.0)	2.040 (51.8)	SBP-17
18	1.420 (36.1)	1.210 (30.7)	.630 (16.0)	2.040 (51.8)	SBP-18
19	1.560 (39.7)	1.340 (34.0)	.630 (16.0)	2.150 (54.6)	SBP-19
20	1.560 (39.7)	1.340 (34.0)	.630 (16.0)	2.180 (55.4)	SBP-20
21	1.680 (42.7)	1.460 (37.1)	.630 (16.0)	2.310 (58.7)	SBP-21
22	1.680 (42.7)	1.460 (37.1)	.630 (16.0)	2.310 (58.7)	SBP-22
23	1.800 (45.7)	1.590 (40.4)	.690 (17.5)	2.430 (61.7)	SBP-23
24	1.800 (45.7)	1.590 (40.4)	.690 (17.5)	2.430 (61.7)	SBP-24
25	1.960 (49.8)	1.740 (44.2)	.690 (17.5)	2.580 (65.5)	SBP-25
26	1.900 (48.3)	1.710 (43.4)	.690 (17.5)	2.640 (67.1)	SBP-26
27	2.160 (54.9)	1.750 (44.5)	.690 (17.5)	2.580 (65.5)	SBP-27
28	2.050 (52.1)	1.580 (40.1)	.630 (16.0)	3.300 (83.8)	SBP-28
32	2.310 (58.7)	2.130 (54.1)	TBD	2.980 (75.7)	N/A
36	2.560 (65.0)	2.320 (58.9)	TBD	3.180 (80.8)	N/A
40	2.810 (71.4)	2.590 (65.8)	.690 (17.5)	3.430 (87.1)	SBP-40
50	3.000 (76.2)	2.870 (72.9)	TBD	3.570 (90.7)	N/A
12JA	.980 (24.9)	.840 (21.3)	.630 (16.0)	1.250 (31.8)	SBP-12JA

TABLE II: ATTACHMENT

Dash No.	E Dia
00	No Terminal
01	.140 (3.6)
02	.182 (4.6)
03	.191 (4.9)
04	.197 (5.0)
05	.167 (4.2)
06	.125 (3.2)
07	.218 (5.5)
09	.156 (4.0)
WS	With Strap
SK	Slip Knot

Metric dimensions (mm) are indicated in parentheses.

TABLE III: CONNECTOR APPLICATION REFERENCE

Dash No.	MIL-C-26482		MIL-DTL-38999		MIL-DTL-38999		MIL-DTL-83723		MIL-DTL-83723		MIL-C-81511	
	MIL-DTL-5015	Series I & II	Series I	Series II	Series III	Series III	Series III	Series III	Series III	Series III	Series I, II, III, IV	MIL-C-28840
04	8 & 8S	8		8								
06		10	9	10			8		8		8	
08	10S, 10 SL		11		9		10		10		10	
09	12, 12S	12		12	11							A (11)
10			13									
11	14, 14S	14		14	13		12		12		14	B (13)
12			15				14		14			
13	18	18	17	18								D (17)
14	16, 16S	16		16	15		16		16		16	C (15)
15	20	20		20	19							
16			19		17		18		18		18	
17	22	22		22	21							
18			21				20		20		20	E (19)
19	24			22								
20			23		23		22		22		22	
21					25							G (25)
22		24	25	24			24		24		24	F (239)
23	28											
26												H (21)
28	32											J (33)
32	36											
36	40											
40	44											
50	48											