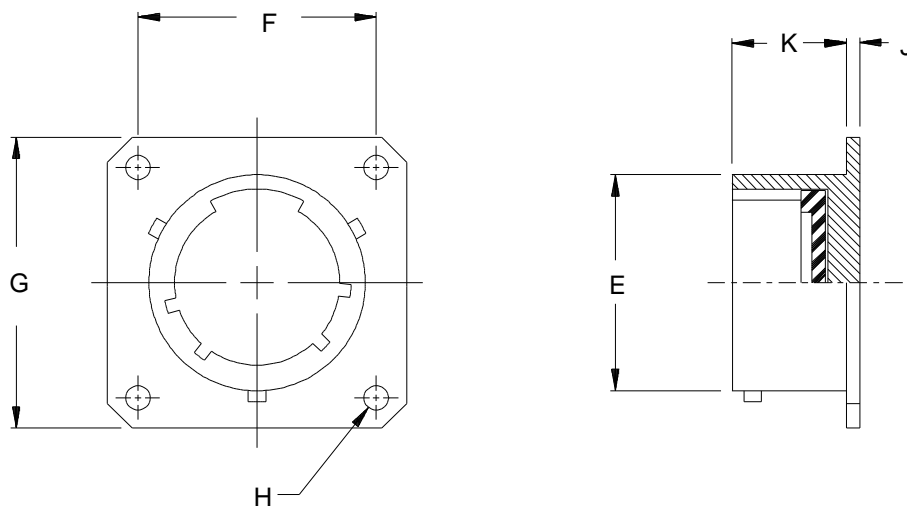


MIL-C-38999
Series I

650FS001 M 17
 Basic Part No. _____
 Finish (Table II) _____
 Shell Size _____



See inside back cover fold-out or page 14 for Table II.

TABLE III: DIMENSIONS						
Shell Size	E Max	F	G Max	H Nom	J	K
09	.573 (14.6)	.719 (18.3)	.949 (24.1)	.128 (3.3)	.085 (2.2)	.730 (18.5)
11	.701 (17.8)	.812 (20.6)	1.042 (26.5)	.128 (3.3)	.085 (2.2)	.730 (18.5)
13	.851 (21.6)	.906 (23.0)	1.136 (28.9)	.128 (3.3)	.085 (2.2)	.730 (18.5)
15	.976 (24.8)	.969 (24.6)	1.230 (31.2)	.128 (3.3)	.085 (2.2)	.730 (18.5)
17	1.101 (28.0)	1.062 (27.0)	1.323 (33.6)	.128 (3.3)	.085 (2.2)	.730 (18.5)
19	1.208 (30.7)	1.156 (29.4)	1.449 (36.8)	.128 (3.3)	.085 (2.2)	.730 (18.5)
21	1.333 (33.9)	1.250 (31.8)	1.573 (40.0)	.128 (3.3)	.115 (2.9)	.700 (17.8)
23	1.458 (37.0)	1.375 (34.9)	1.699 (43.2)	.147 (3.7)	.115 (2.9)	.700 (17.8)
25	1.583 (40.2)	1.500 (38.1)	1.823 (46.3)	.147 (3.7)	.115 (2.9)	.700 (17.8)

1. For complete dimensions see Military Standard MIL-C-38999 Series I.
2. Metric dimensions (mm) are indicated in parentheses.