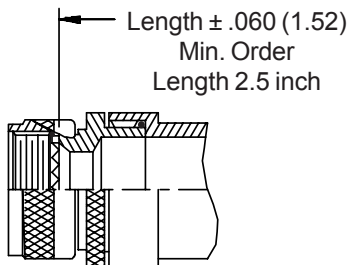
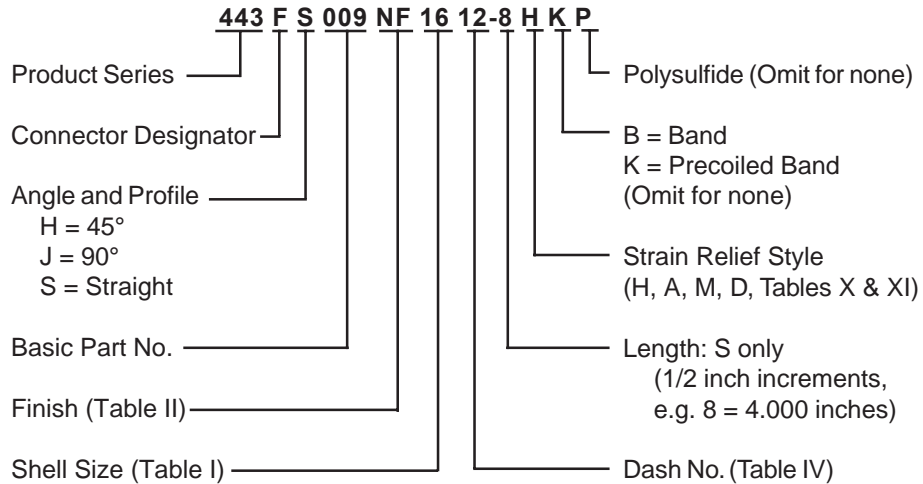
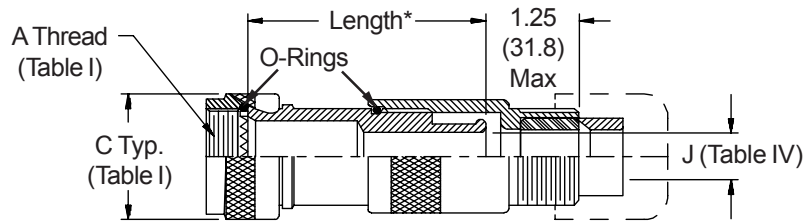


**CONNECTOR  
DESIGNATORS  
A-F-H-L-S  
ROTATABLE  
COUPLING**

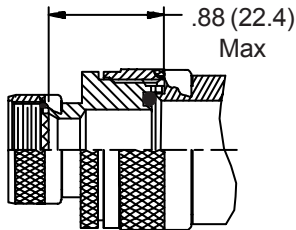
**-445** Now Available with the "NESTOR"  
Add "-445" to Specify Non-Detent Self-Locking Coupling. See Page 41 for Details.



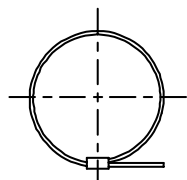
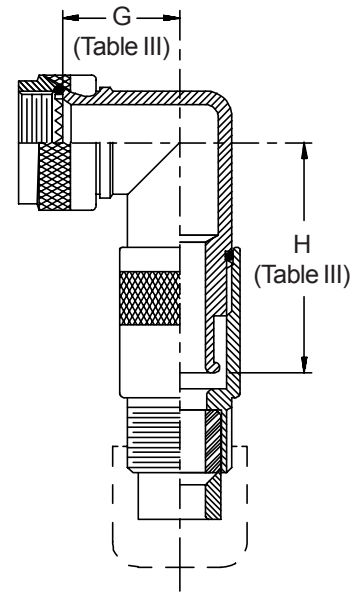
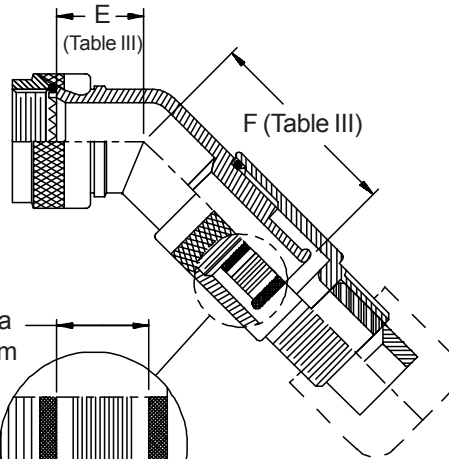
**STYLE 2  
(STRAIGHT  
See Note 1)**



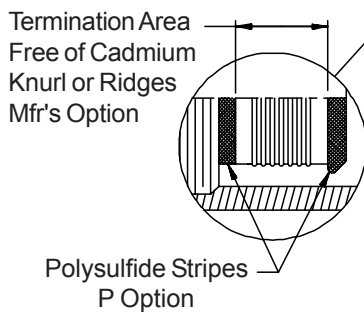
\* Length ± .060 (1.52)  
Min. Order Length 2.0 inch  
(Consult factory for shorter lengths)



**STYLE 2  
(45° & 90°  
See Note 1)**



Band Option (K Option Shown - See Note 4)



**Submersible EMI/RFI Cable Sealing Backshell**  
**Band-in-a-Can with Strain-Relief**  
**Rotatable Coupling - Standard Profile**



See inside back cover fold-out or pages 13 and 14 for Tables I and II.

**TABLE III: ELBOW DIMENSIONS**

Shell Size Conn. Desig. A-F-L-S H	E Max	F Max	G Max	H Max
08 09	.639 (16.2)	1.380 (35.1)	.750 (19.1)	1.500 (38.1)
10 11	.664 (16.9)	1.410 (35.8)	.810 (20.6)	1.550 (39.4)
12 13	.688 (17.5)	1.430 (36.3)	.870 (22.1)	1.610 (40.9)
14 15	.705 (17.9)	1.460 (37.1)	.920 (23.4)	1.680 (42.7)
16 17	.732 (18.6)	1.480 (37.6)	.980 (24.9)	1.740 (44.2)
18 19	.748 (19.0)	1.490 (37.8)	1.020 (25.9)	1.760 (44.7)
20 21	.773 (19.6)	1.510 (38.4)	1.080 (27.4)	1.820 (46.2)
22 23	.800 (20.3)	1.550 (39.4)	1.140 (29.0)	1.900 (48.3)
24 25	.823 (20.9)	1.580 (40.1)	1.200 (30.5)	1.970 (50.0)

**TABLE IV: CABLE ENTRY**

Dash No.	Clamp Size	J Dia
02	03	.125 (3.2)
03	03	.188 (4.8)
04	03	.250 (6.4)
05	04	.312 (7.9)
06	06	.375 (9.5)
07	06	.438 (11.1)
08	08	.500 (12.7)
09	10	.562 (14.3)
10	10	.625 (15.9)
11	12	.688 (17.5)
12	12	.750 (19.1)
13	16	.812 (20.6)
14	16	.875 (22.2)
15	16	.938 (23.8)
16	20	1.000 (25.4)
17	20	1.062 (27.0)
18	20	1.125 (28.6)
20	20	1.250 (31.8)
22	24	1.375 (34.9)
24	28	1.500 (38.1)

**TABLE X: CABLE ENTRY**

Clamp Size	T Max	V Max	Cable Range	
			Min	Max
04	.780 (19.8)	.957 (24.3)	.125 (3.2)	.312 (7.9)
06	.780 (19.8)	1.145 (29.1)	.250 (6.4)	.437 (11.1)
08	.780 (19.8)	1.332 (33.8)	.387 (9.8)	.562 (14.3)
10	.780 (19.8)	1.332 (33.8)	.350 (8.9)	.625 (15.9)
12	.811 (20.6)	1.551 (39.4)	.500 (12.7)	.750 (19.1)
16	.905 (23.0)	1.770 (45.0)	.625 (15.9)	.937 (23.8)
20	1.092 (27.7)	2.113 (53.7)	.875 (22.2)	1.250 (31.8)
24	1.124 (28.5)	2.363 (60.0)	1.000 (25.4)	1.375 (34.9)
28	1.399 (35.5)	2.770 (70.4)	1.250 (31.8)	1.625 (41.3)

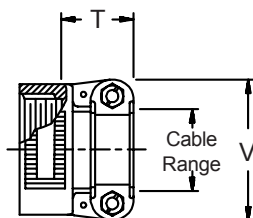
**TABLE XI: CABLE ENTRY**

Clamp Size	W Max	X Max	Y Max	Z Max	Cable Range	
					Min **	Max
03*	.437 (11.1)	.760 (19.3)	.843 (21.4)	.630 (16.0)	.156 (4.0)	.250 (6.4)
04*	.437 (11.1)	.760 (19.3)	.906 (23.0)	.755 (19.2)	.188 (4.8)	.312 (7.9)
06*	.500 (12.7)	.760 (19.3)	1.093 (27.8)	.942 (23.9)	.281 (7.1)	.438 (11.1)
08	.563 (14.3)	.760 (19.3)	1.187 (30.1)	1.067 (27.1)	.387 (9.8)	.562 (14.3)
10	.563 (14.3)	.760 (19.3)	1.281 (32.5)	1.192 (30.3)	.375 (9.5)	.625 (15.9)
12	.563 (14.3)	.760 (19.3)	1.500 (38.1)	1.380 (35.1)	.438 (11.1)	.750 (19.1)
16	.656 (16.7)	1.073 (27.3)	1.719 (43.7)	1.535 (39.0)	.625 (15.9)	.938 (23.8)
20	.656 (16.7)	1.323 (33.6)	2.062 (52.4)	1.848 (46.9)	.875 (22.2)	1.250 (31.8)
24	.656 (16.7)	1.323 (33.6)	2.312 (58.7)	2.255 (57.3)	1.000 (25.4)	1.375 (34.9)
28	1.188 (30.2)	1.572 (39.9)	2.719 (69.1)	2.505 (63.6)	1.250 (31.8)	1.625 (41.3)

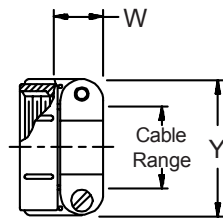
\* Not available in Style M clamp.      \*\* Not Applicable Style D

- When maximum cable entry (page 21) is exceeded, Style 2 will be supplied. Dimensions E, F, G, and H will not apply. Please consult factory.
- Metric dimensions (mm) are indicated in parentheses.
- O-Ring not supplied with Connector Designator A.
- Backshells supplied with 600-052-\* band, see Glenair Series 600 Tool Catalog for installation.

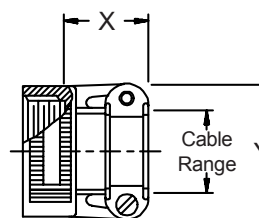
**STYLE H**  
Heavy Duty (Table X)



**STYLE A**  
Medium Duty (Table XI)



**STYLE M**  
Medium Duty (Table XI)



**STYLE D**  
Medium Duty (Table XI)

