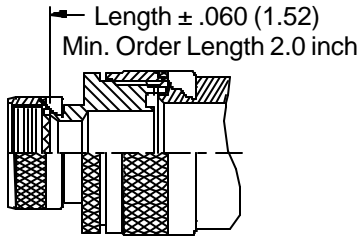
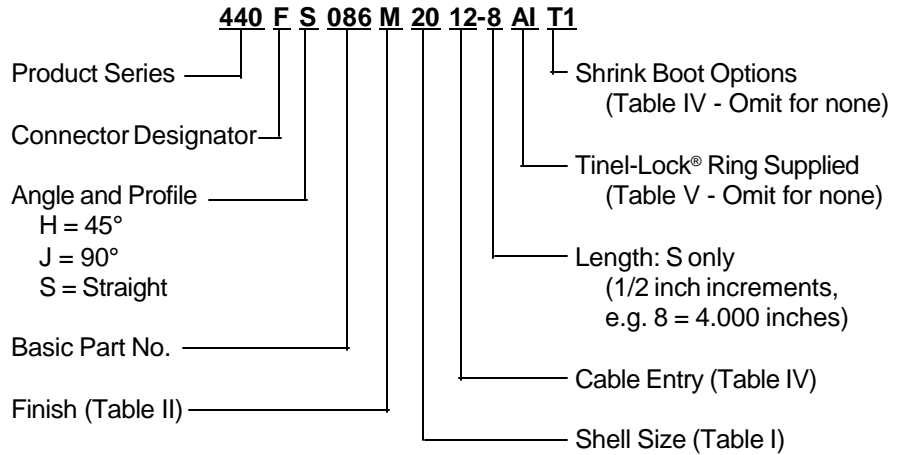


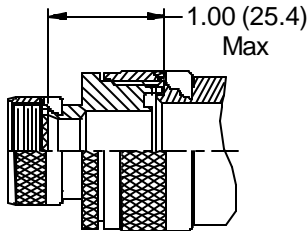
**440-086**  
**EMI/RFI Tinel-Lock® Ring Adapter**  
**Self-Locking Rotatable Coupling - Standard Profile**

**CONNECTOR  
 DESIGNATORS  
 A-F-H-L-S  
 SELF-LOCKING  
 ROTATABLE  
 COUPLING**

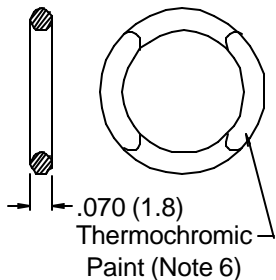
**FOR TINEL-LOCK®  
 RING TERMINATIONS**



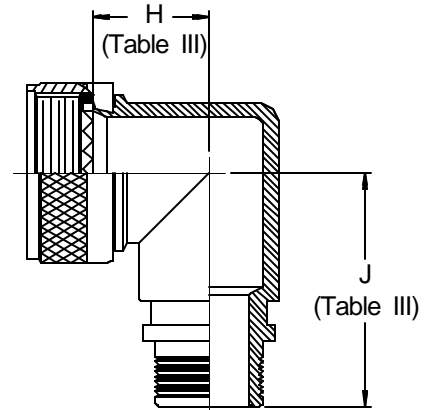
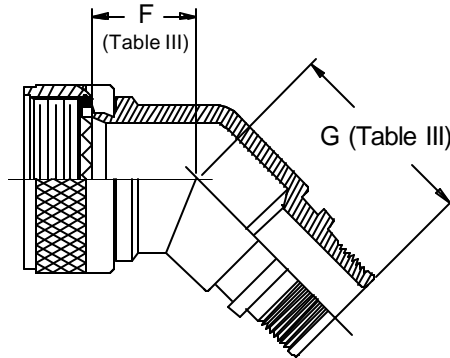
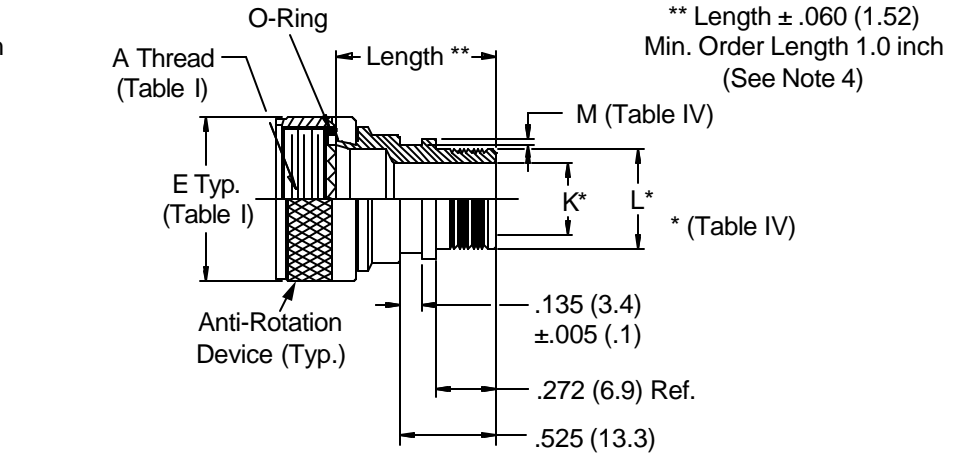
**STYLE 2  
 (STRAIGHT  
 See Note 1)**



**STYLE 2  
 (45° & 90°  
 See Note 1)**



**Tinel-Lock® Ring  
 Option (See Table V)**



Note: The Tinel-Lock® ring designator must be specified according to the type of cable braid used. Tinel-Lock® rings are marked with thermochromic paint which changes color when the correct installation temperature is reached. BI rings are identified with a red spot. CI rings are identified with a blue spot.

Tinel-Lock® is a registered trademark of Tyco

