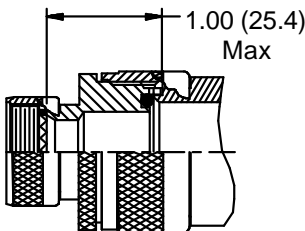
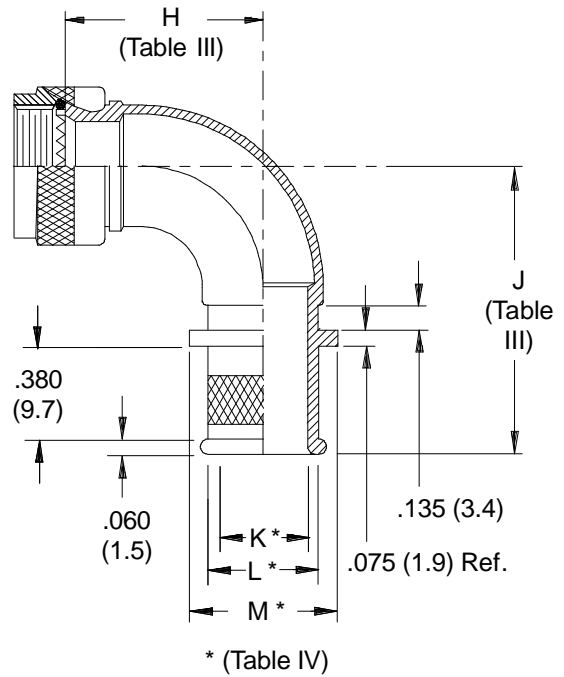
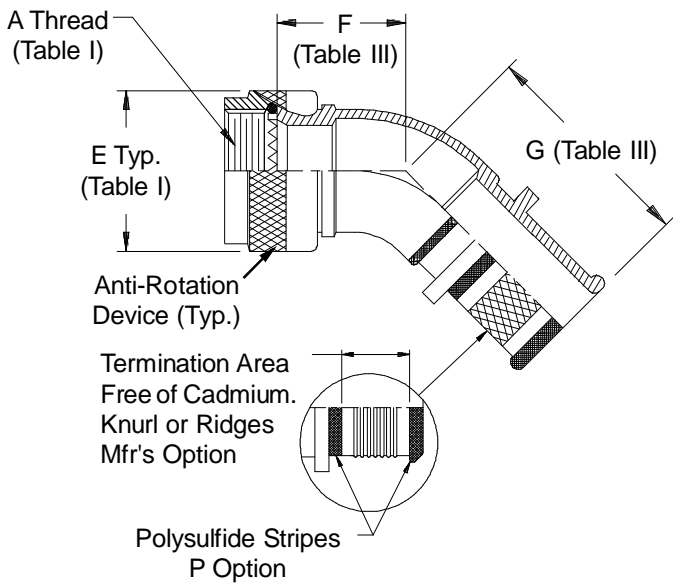
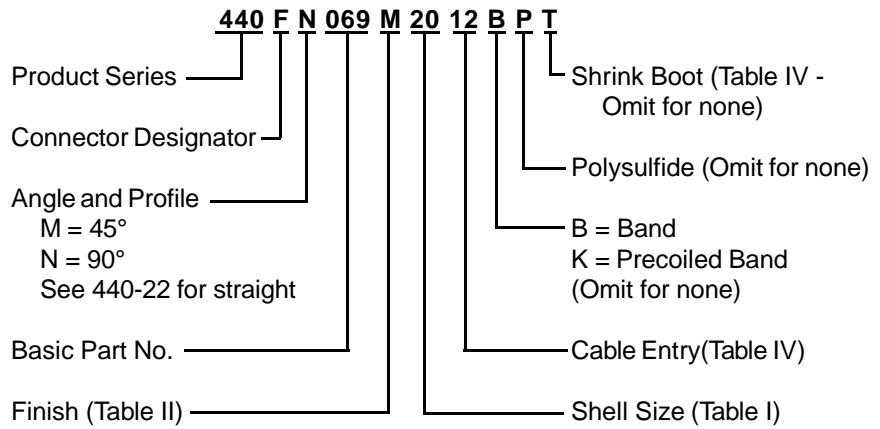
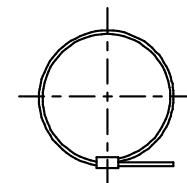


**CONNECTOR
DESIGNATORS
A-F-H-L
SELF-LOCKING
ROTATABLE
COUPLING**



**STYLE 2
(See Note 1)**



Band Option
(K Option Shown - See Note 6)

See inside back cover fold-out or pages 13 and 14 for Tables I and II.

TABLE III: ELBOW DIMENSIONS									
Shell Size		F		G		H		J	
Conn. Desig.	H	Max		Max		Max		Max	
A-F-L	H								
08	09	.968	(24.6)	1.017	(25.8)	1.281	(32.5)	1.335	(33.9)
10	11	1.031	(26.2)	1.071	(27.2)	1.406	(35.7)	1.460	(37.1)
12	13	1.094	(27.8)	1.121	(28.5)	1.531	(38.9)	1.585	(40.3)
14	15	1.156	(29.4)	1.175	(29.8)	1.656	(42.1)	1.710	(43.4)
16	17	1.218	(30.9)	1.224	(31.1)	1.781	(45.2)	1.835	(46.6)
18	19	1.250	(31.8)	1.274	(32.4)	1.906	(48.4)	1.960	(49.8)
20	21	1.312	(33.3)	1.328	(33.7)	2.031	(51.6)	2.085	(53.0)
22	23	1.344	(34.1)	1.382	(35.1)	2.156	(54.8)	2.210	(56.1)
24	25	1.406	(35.7)	1.431	(36.3)	2.281	(57.9)	2.335	(59.3)

TABLE IV: CABLE ENTRY						
Dash No.	K	L		M		Shrink Boot
01	.125 (3.2)	.250 (6.4)	.312 (7.9)			
31	.188 (4.8)	.312 (7.9)	.374 (9.5)			770-001S103
02	.250 (6.4)	.375 (9.5)	.437 (11.1)			770-001S103
32	.312 (7.9)	.438 (11.1)	.500 (12.7)			770-001S103
03	.375 (9.5)	.500 (12.7)	.562 (14.3)			770-001S103
33	.438 (11.1)	.562 (14.3)	.624 (15.8)			770-001S104
04	.500 (12.7)	.625 (15.9)	.687 (17.4)			770-001S104
34	.562 (14.3)	.688 (17.5)	.750 (19.1)			770-001S104
05	.625 (15.9)	.750 (19.1)	.812 (20.6)			770-001S104
35	.688 (17.5)	.812 (20.6)	.874 (22.2)			770-001S105
06	.750 (19.1)	.875 (22.2)	.937 (23.8)			770-001S105
36	.812 (20.6)	.938 (23.8)	1.000 (25.4)			770-001S106
07	.875 (22.2)	1.000 (25.4)	1.062 (27.0)			770-001S106
37	.938 (23.8)	1.062 (27.0)	1.124 (28.5)			770-001S106
08	1.000 (25.4)	1.125 (28.6)	1.187 (30.1)			770-001S106
38	1.062 (27.0)	1.188 (30.2)	1.250 (31.8)			770-001S107
09	1.125 (28.6)	1.250 (31.8)	1.312 (33.3)			770-001S107
10	1.250 (31.8)	1.375 (34.9)	1.437 (36.5)			770-001S107
11	1.375 (34.9)	1.500 (38.1)	1.562 (39.7)			770-001S108
12	1.500 (38.1)	1.625 (41.3)	1.687 (42.8)			770-001S108
13	1.625 (41.3)	1.750 (44.5)	1.812 (46.0)			770-001S108
14	1.750 (44.5)	1.875 (47.6)	1.937 (49.2)			770-001S109*
15	1.875 (47.6)	2.000 (50.8)	2.062 (52.4)			770-001S109*
16	2.000 (50.8)	2.125 (54.0)	2.187 (55.5)			770-001S109*

*Equivalent boot may be supplied in lieu of stated part number.

1. When maximum cable entry (page 21) is exceeded, Style 2 will be supplied. Dimensions F, G, H and J will not apply. Please consult factory.
2. Metric dimensions (mm) are indicated in parentheses.
3. Interface O-Ring not supplied with Connector Designator A.
4. Consult factory for shorter lengths on straight backshells.
5. See page 40 for Shrink Boot Reference Information.
6. Backshells supplied with 600-052-* band, see Glenair Series 600 Tool Catalog for installation.