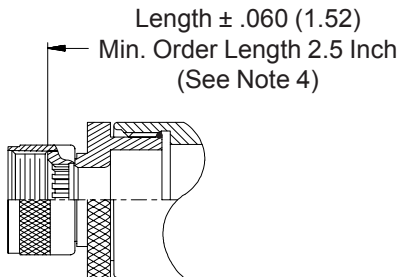
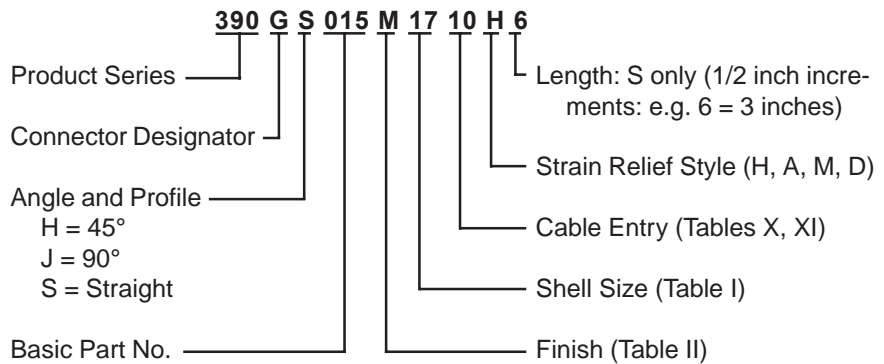


CONNECTOR DESIGNATOR

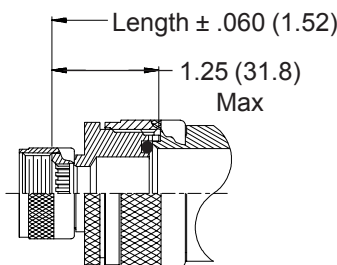
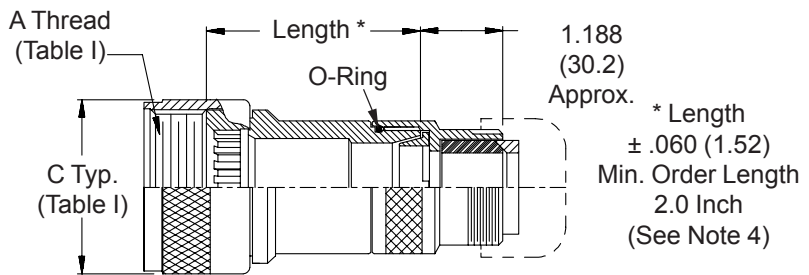


ROTATABLE COUPLING

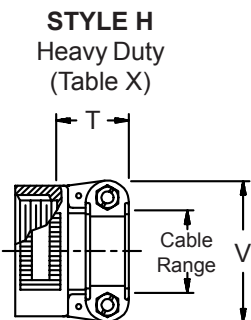
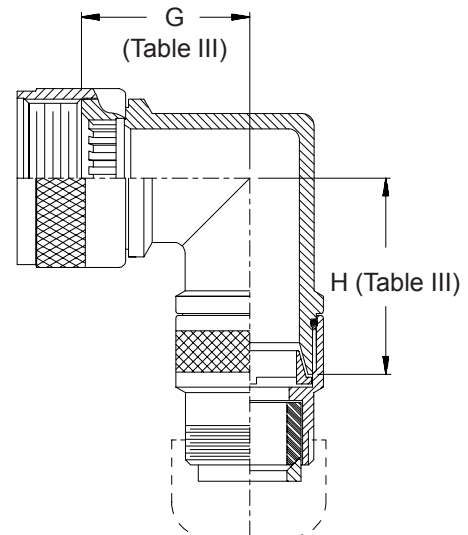
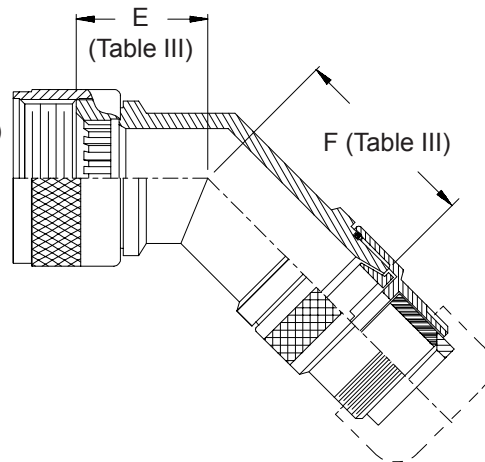
TYPE B INDIVIDUAL AND/OR OVERALL SHIELD TERMINATION



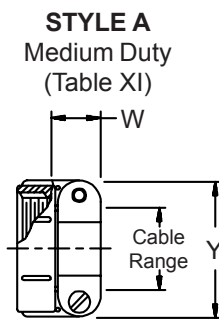
STYLE 2 (STRAIGHT)
See Note 1



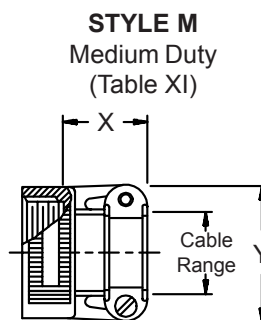
STYLE 2 (45° & 90°)
See Note 1



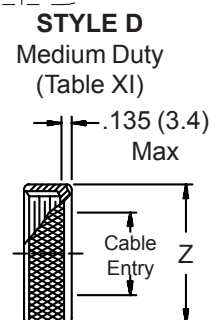
STYLE H
Heavy Duty
(Table X)



STYLE A
Medium Duty
(Table XI)



STYLE M
Medium Duty
(Table XI)



STYLE D
Medium Duty
(Table XI)

