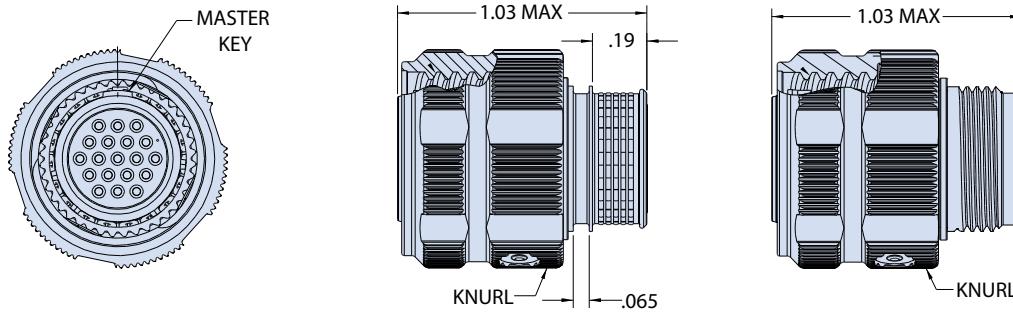


HIGH-TEMPERATURE TOLERANT ThermaRex HT Series 806 Mil-Aero Connectors Micro-miniature triple-start stub ACME solution



SERIES 806 MIL-AERO PLUG

How To Order ThermaRex Series 806 Mil-Aero Jam Nut Receptacle						
Sample Part Number	806-042	Z1	11-19	S	M	A
Series / Basic Part No.	806-042 High-temperature ThermaRex Series 806 plug					
Material/Finish	Z1 = Passivated CRES					
Shell Size/Insert Arr.	Per 806-015, See tables					
Contact Style	P = Pin A = Pin connector, less contacts S = Socket B = Socket connector, less contacts					
Shell Style	M = Metric accessory thread B = Banding platform					
Polarization Keyway Code	A, B, C, D, E, F					



SERIES 806 MIL-AERO JAM NUT RECEPTACLE WITH PCB STANDOFF

How To Order ThermaRex Series 806 Mil-Aero Jam Nut Receptacle				
Sample Part Number	806-041	Z1	11-19	P N
Series / Basic Part No.	806-041 High-temperature ThermaRex Series 806 jam nut receptacle with PCB standoff			
Material/Finish	Z1 = Passivated CRES			
Shell Size/Insert Arr.	Per 806-015, See tables			
Contact Style	P = Pin contacts only			
Polarization Keyway Code	A, B, C, D, E, F			

