



SeaKing™ Junior Dry-Mate Subsea Connectors



707-0498-5 Cable Connector Receptacle (CCR)



HOW TO ORDER	
Sample Part Number	707-0498 -5 -52 -36 B8 G -Z1 P N
Product Series	707-0498 = Cable Connector Receptacle
Connector Type	1 = CCP 5 = CCR 6 = FCR 7 = BCR
Shell Size	See Dimensions table
Insulator Size	See Dimensions table
Arrangement	
Grommet Designator	G = Grommet Seal Included Leave Blank for No Grommet Seal
Shell Material	Z1 = Stainless Steel, Passivated TA = Titanium with Anodic Coating See Component Materials table
Insert/Contact Designator	P = Pin Insulator with Pin Contacts Included S = Socket Insulator with Socket Contacts Included A = Pin Insulator Less Pin Contacts B = Socket Insulator Less Socket Contacts
Polarization	See Polarization table

NOTES

Electrical rating:

- Voltage: 600 vdc / 425 vac
- Current: see Current Ratings table

Pressure rating

- Mated condition: 1,450 psi (1,000 meters depth)
- Open face: not rated

Contact installation: "crimp and poke" contacts are installed at the cable assembly level. Contacts are provided loose at this level.

Assembly is identified here with "06324 Glenair", part number and date code.

Packaging: product is fitted with dust caps and packaged with packing foam within a cardboard box.

MATERIAL COMPOSITION

Shell: see part number development

Insulators: glass-reinforced P.E.E.K.

O-ring: nitrile

Interfacial seal and grommet seal: fluorosilicone

INSERT ARRANGEMENTS						
Insert Arr.	Contact Size and Quantity					
	#16	#12	#8	#4	#1/0	#2/0
18-2			2			
18-4		2	2			
20-3			3			
20-4			4			
20-5		2	3			
20-7	4		3			
24-1					1	
24-2				2		
24-3				3		
24-5			5			
24-6		4		2		
24-A1						1
24-A6		3		3		
28-12	6		6			
28-15	15					
28-4				4		
28-8		1	7			
28-9	5			4		

Insert Arr.	Contact Size and Quantity					
	#16	#12	#8	#4	#1/0	#2/0
32-12	2		10			
32-2					2	
32-20	1	19				
32-3					3	
32-4				2	2	
32-5					5	
32-6		3			3	
32-7				7		
32-A22		22				
36-16	3		13			
36-2						2
36-4					4	
36-9	14	14	2	1		
36-A8				8		
36-B8	4				4	
40-10	16		9	4		
40-21			21			
40-5					5	

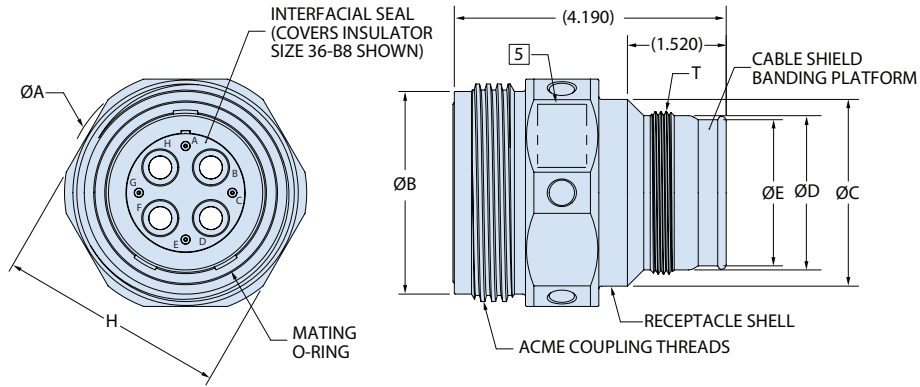
CURRENT RATINGS	
Contact Size	AMPS
16	13
12	23
8	60
4	100
1/0	175



SeaKing™ Junior

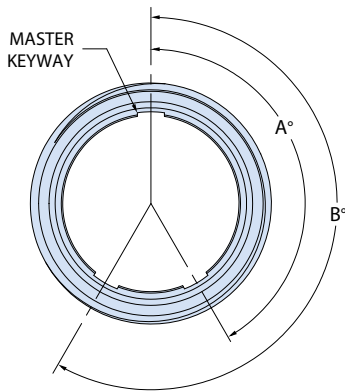
Dry-Mate Subsea Connectors

707-0498-5 Cable Connector Receptacle (CCR)



DIMENSIONS

Shell Size	Insulation Size	ØA		ØB		ØC		ØD +0.002 -0.002		ØE		H		T UN-2A Threads	Mating O-Ring Size
		inch	mm	inch	mm	inch	mm	inch	mm	inch	mm	inch	mm		
44	28	3.230	82.04	1.620	41.15	2.375	60.33	1.875	47.63	1.750	44.45	3.000	76.20	2.000-12	2-034
48	32	3.480	88.39	2.870	72.90	2.625	66.68	2.125	53.97	2.000	50.80	3.250	82.55	2.250-12	2-036
52	36	3.730	94.74	3.120	79.25	2.875	73.02	2.375	60.33	2.250	57.15	3.500	88.90	2.500-12	2-038
56	40	3.980	101.09	3.370	85.60	3.125	79.38	2.625	66.68	2.500	63.50	3.750	95.25	2.750-12	2-040



ALTERNATE KEY POSITIONS

Position	A°	B°
N	150°	210°
A	75°	210°
B	95°	230°
C	140°	275°