



RJ45 AND USB 2.0 Contacts, Tools, and Accessories

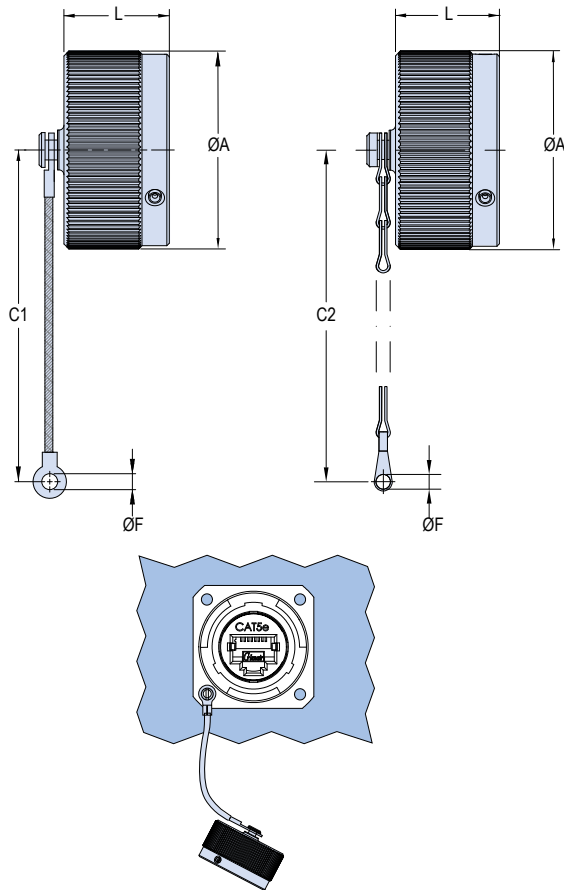


Series ITS Protective Covers for Wall Mount and Jam Nut Receptacle Connectors

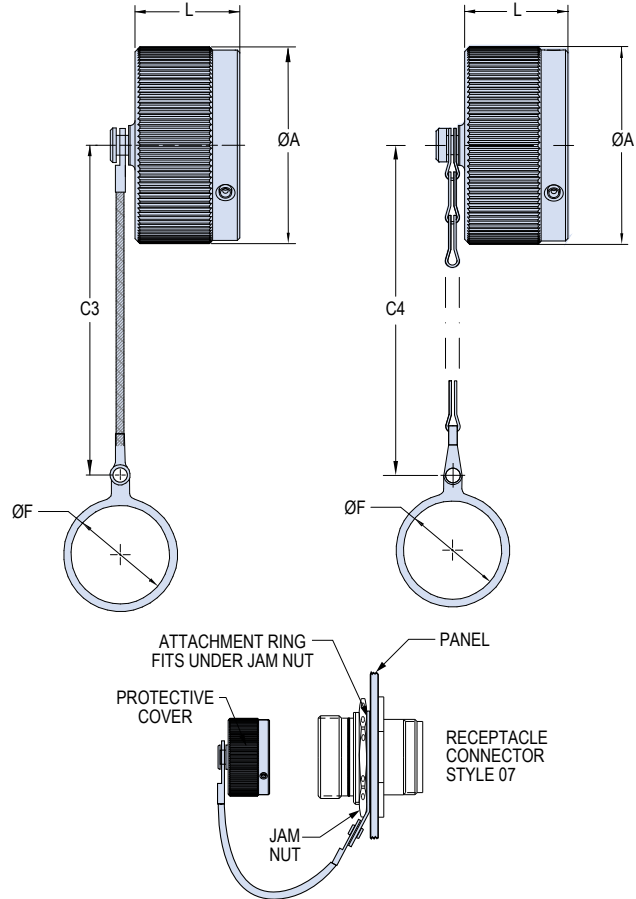
Series ITS (5015 Intermountable)

| How To Order | | | | | | |
|--------------------------------|--|--|---|-----------|------------|-----------|
| Sample Part Number | | | ITB02 | TF | -17 | F6 |
| Series/Basic Part No. | ITB02 = Wall Mount Attachment Style | | ITB07 = Jam Nut Attachment Style (See Note 1) | | | |
| Attachment Type | TF = Stainless Steel Wire Rope | | T = Sash Chain | | | |
| Connector Size | 17 = Shell Size 16 | | 18 = Shell Size 18 | | | |
| Material/Finish Options | F6 = Aluminum/Black Polymer Electrocoat F11 = Aluminum/Electroless Nickel | | F7 = Aluminum/Conductive Black Zinc Nickel Omit for Aluminum/Cadmium, Olive Drab | | | |

ITS (ITB02) WALL MOUNT RECEPTACLE COVER



ITS (ITB07) JAM NUT MOUNT RECEPTACLE COVER



| Dimensions | | | | | | | | |
|-----------------|----------------|-----------------------|----------------------|-----------------------|----------------------|-----------------------|------------------------------------|------------|
| Shell Size Code | Connector Size | ØA ±.020 (±0.5) | Wall Mount | | Jam Nut | | ØF +.007 (+0.2) -.003 (-0.1) | L Max. |
| | | | Wire Rope C1 Min. | Sash Chain C2 Min. | Wire Rope C3 Min. | Sash Chain C4 Min. | | |
| -17 | 16 | 1.26 (32.0) | 7.60 (193) | 4.84 (123) | 8.19 (208) | 5.39 (137) | .170 (4.3) | .83 (21.0) |
| -18 | 18 | 1.44 (36.5) | 7.60 (193) | 4.84 (123) | 8.19 (208) | 5.43 (138) | .17 (4.3) | .85 (21.7) |

NOTES

- For plug covers contact factory