



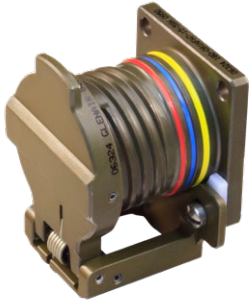
RJ45 AND USB 2.0

Contacts, Tools, and Accessories



667-407 ProSeal™ Spring-Loaded Environmental Cover for 38999 Sr. III Type Wall Mount or Jam Nut Connectors

MIL-DTL-38999 Type

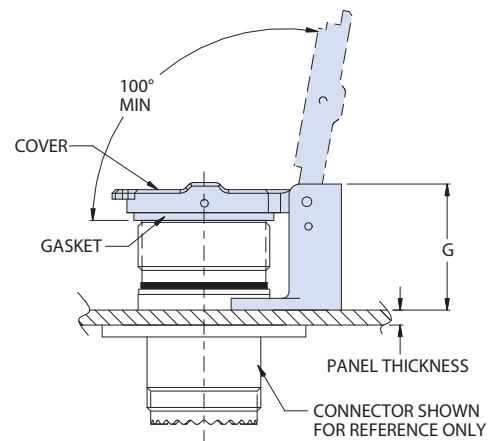
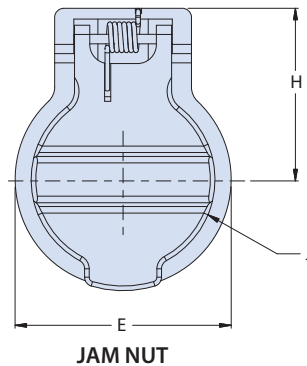
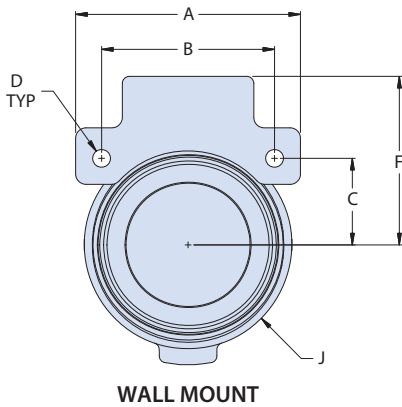


How To Order						
Sample Part Number	667-407	NF	17	T1	J	-59
Product Series-Basic No.	667-407 = Flop Cover					
Material and Finish	See Material and Finish Table					
Connector Shell Size	See Dimensions Table					
Panel Thickness	See Panel Thickness Table					
Mounting Type	J = Jam Nut Mount Receptacle W = Wall Mount Receptacle					
Conductive Silicone	59					

Shell Size	Dimensions															
	A Dim ±.031 (.78)		B Dim		C Dim		D Dim ±.008 (.20)		E Dia ±.031 (.78)		F Dim Max		H Dim Max		J Dia Max	
	In	mm	In	mm	In	mm	In	mm	In	mm	In	mm	In	mm	In	mm
15	1.220	30.98	.969	24.61	.485	12.31	.129	3.28	1.560	39.62	1.029	26.14	1.179	29.95	1.255	31.88
17	1.311	33.30	1.062	26.97	.531	13.49	.129	3.28	1.625	41.28	1.114	28.30	1.212	30.78	1.425	36.20
19	1.437	36.50	1.156	29.36	.578	14.68	.129	3.28	1.750	44.45	1.146	29.11	1.365	34.67	1.488	37.80

Material and Finish		
Symbol	Material	Finish Description
MT	Aluminum	Nickel-PTFE
ZR		Zinc ni, black (tri-valet cr)
M		electroless nickel
NF		cadmium plate/olive drab over electroless nickel
Z1	SST	passivate
XB	Composite	color black

Panel Thickness Table							
Dash No.	Panel Thickness ±.030		Shell Size	G ±.06 (1.52)			
	In	mm		Jam Nut Style		Wall Style	
				In	mm	In	mm
T1	.062	1.57	09-19	1.041	26.44	0.977	24.82
			21-25	1.126	28.60	1.032	26.21
T2	.125	3.18	09-19	0.979	24.87	0.915	23.24
			21-25	1.064	27.03	0.970	24.64



NOTES

- Cover will stay open at 100° from receptacle face

M