



RJ45 AND USB 2.0 Contacts, Tools, and Accessories

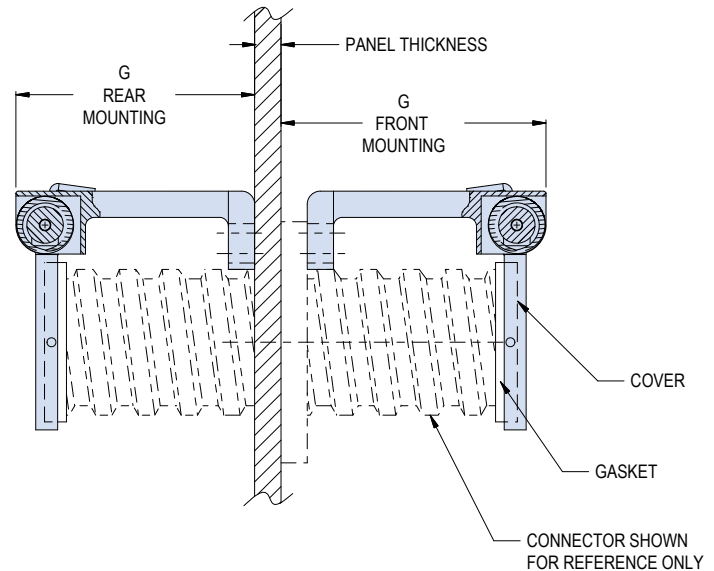
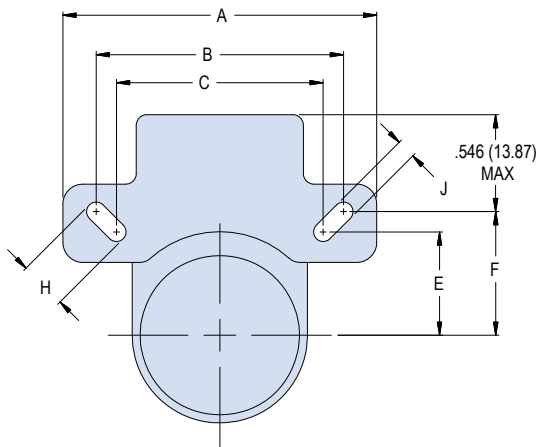


667-398 Spring Loaded Flop-Lid Cover for 38999 Series III Type Feed Thru Connector

How To Order				
Sample Part Number	667-398	NF	17	FO
Product Series-Basic No.	667-398 = Flop Cover			
Material and Finish	See Material and Finish Table			
Connector Shell Size	See Dimensions Table			
Cover Mounting	FO = Front Mounting		R1, R2, R3, R4 = Rear Mounting	
	See Table I for Panel Thickness Guidelines			

Shell Size	Dimensions													
	A Dim ±.012 (.31)		B Dim		C Dim		E Dim		F Dim		H Dim ±.008 (.20)		J Dim ±.008 (.20)	
	In	mm	In	mm	In	mm	In	mm	In	mm	In	mm	In	mm
17	1.542	39.17	1.062	26.97	.969	24.61	.485	12.32	.531	13.49	.194	4.93	.128	3.25
19	1.636	41.55	1.156	29.36	1.062	26.97	.531	13.49	.578	14.68	.194	4.93	.128	3.25

contact factory for other shell sizes



Material and Finish		
Symbol	Material	Finish Description
MT	Aluminum	Nickel-PTFE
ZR		Zinc ni, black (tri-valet cr)
M		electroless nickel
NF		cadmium plate/olive drab over electroless nickel
Z1	SST	passivate
XB	Composite	color black

Cover Mounting Dash Number		
Dash No.	Panel Thickness ±.030	G Max
FO	N/A	.845 (21.46)
R1	.062 (1.57)	.981 (24.91)
R2	.125 (3.18)	.918 (23.32)
R3	.188 (4.78)	.855 (21.72)
R4	.250 (6.35)	.793 (20.14)

MIL-DTL-38999 Type

M