



RJ45 AND USB 2.0

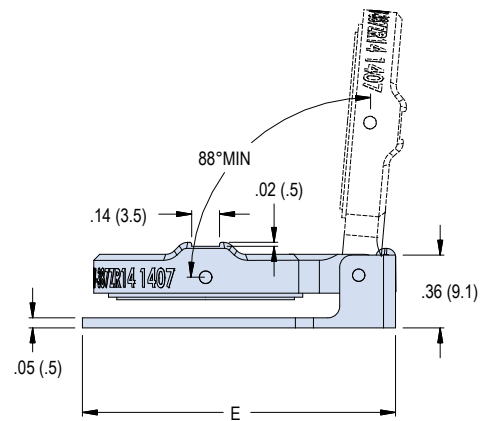
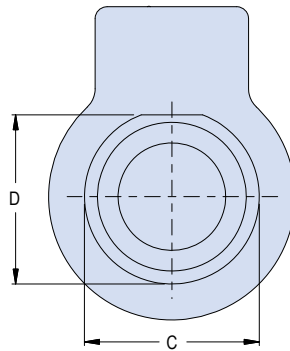
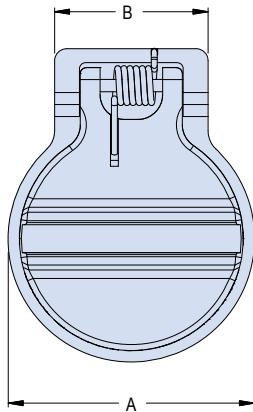
# Contacts, Tools, and Accessories



## 667-387 Spring Loaded Flop-Lid Cover for Series 804 Rear Panel Mount Jam Nut Connector

How To Order				
Sample Part Number	667-387	NF	15	F0
Product Series-Basic No.	667-387 = Mighty Mouse Series 804 Flop-Lid Cover			
Material and Finish	See Material and Finish Table			
Connector Shell Size	See Dimensions Table			
Panel Thickness	1 = .063 ±.03 (1.60 ±.8)	2 = .125 ±.03 (3.18 ±.8)		

Shell Size	Dimensions									
	A Dim)		B Dim		C Dia		D Flat		E Dim	
	In	mm	In	mm	In	mm	In	mm	In	mm
15	1.42	36.1	.89	22.6	1.070	27.18	1.041/1.037	26.44/26.34	1.74	44.20



Material and Finish		
Sym	Material	Finish Description
M	Aluminum	electroless nickel
NF		Cadmium with Olive Drab
ZN		Zinc-Nickel with Olive Drab Chromate
ZNU		Zinc-Nickel with Black Chromate
MT		Aluminum / Nickel-PTFE
Z1	SST	passivated

### NOTES

- Mates to Glenair 804 series rear mousing jam nut connectors
- Hardware Material and finish
  - Housing, cover: see Material and Finish Table
  - Shaft, spring: cress/passivate
  - Sleeve: delrin
  - Gasket: silicone/NA

Series 80 Mighty Mouse

M